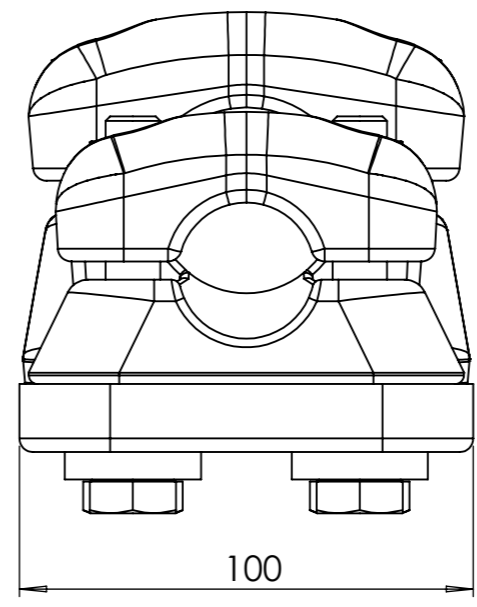
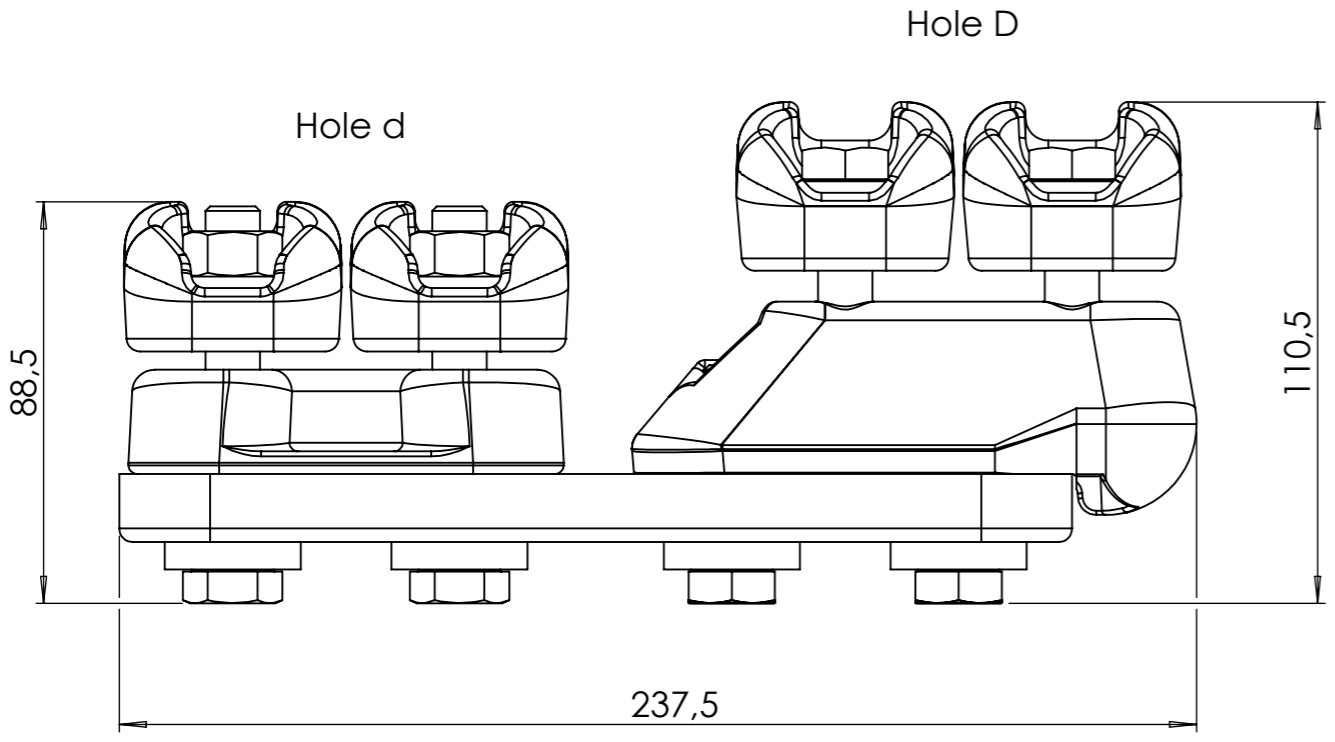


Tightening torque: 75Nm



Un	245kV
In	800A
kA1s	50
Weight	3,780 kg
Hole d	Ø 17-37 mm
Hole D	Ø 37-47 mm

Merk:

DO NOT SCALE DRAWING	REVISION	1
M E L B Y E		

TITLE:
**MFK Rett
al.klemme 2d+2D**

	NAME	SIGNATURE	DATE
DRAWN	M.Sundler		14.12.2020
APPR.	Espen Aas		16.12.2020

DWG NO.	110106	A3
SCALE: 3:5	SHEET 1 OF 1	