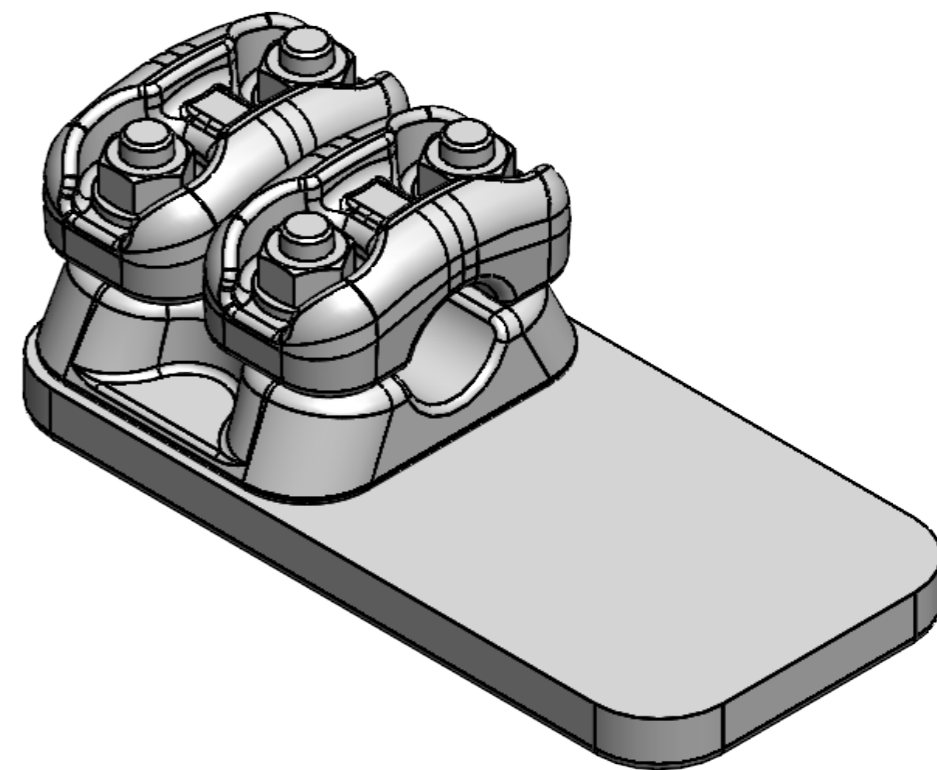


8 7 6 5 4 3 2 1

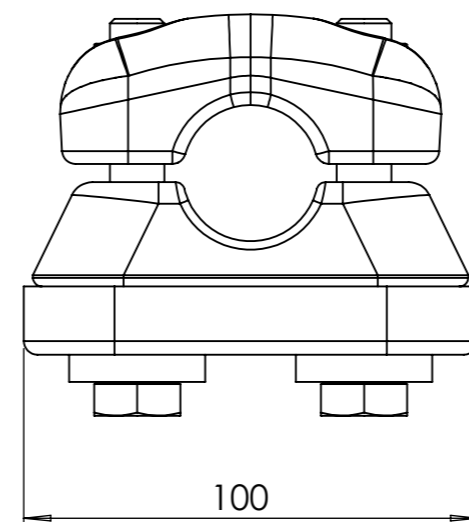
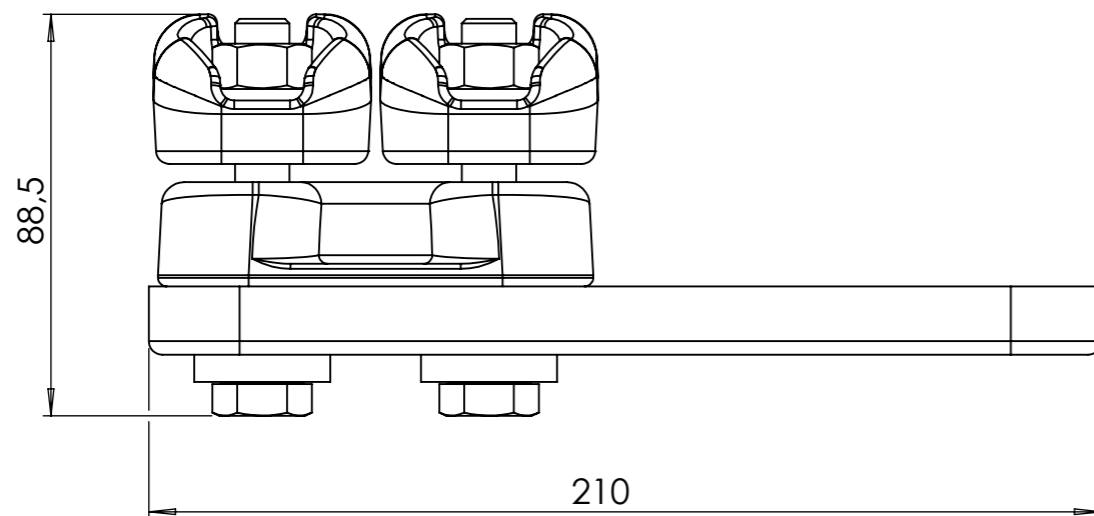
F
E
D
C
B
A

F
E
D
C
B
A

Tightening torque: 75Nm



Hole d



Un	245kV
In	800A
kA1s	50
Weight	2,010 kg
Hole d	Ø 17-37 mm
Hole D	Ø 37-47 mm

Merk:

DO NOT SCALE DRAWING	REVISION	1
----------------------	----------	---

M E L B Y E

TITLE:
MFK Rett al.
skinneklemme 2d

	NAME	SIGNATURE	DATE
DRAWN	M.Sundler		16.12.2020
APPR.	Espen Aas		16.12.2020

DWG NO.	110501	A3
SCALE: 3:5	SHEET 1 OF 1	

8 7 6 5 4 3 2 1