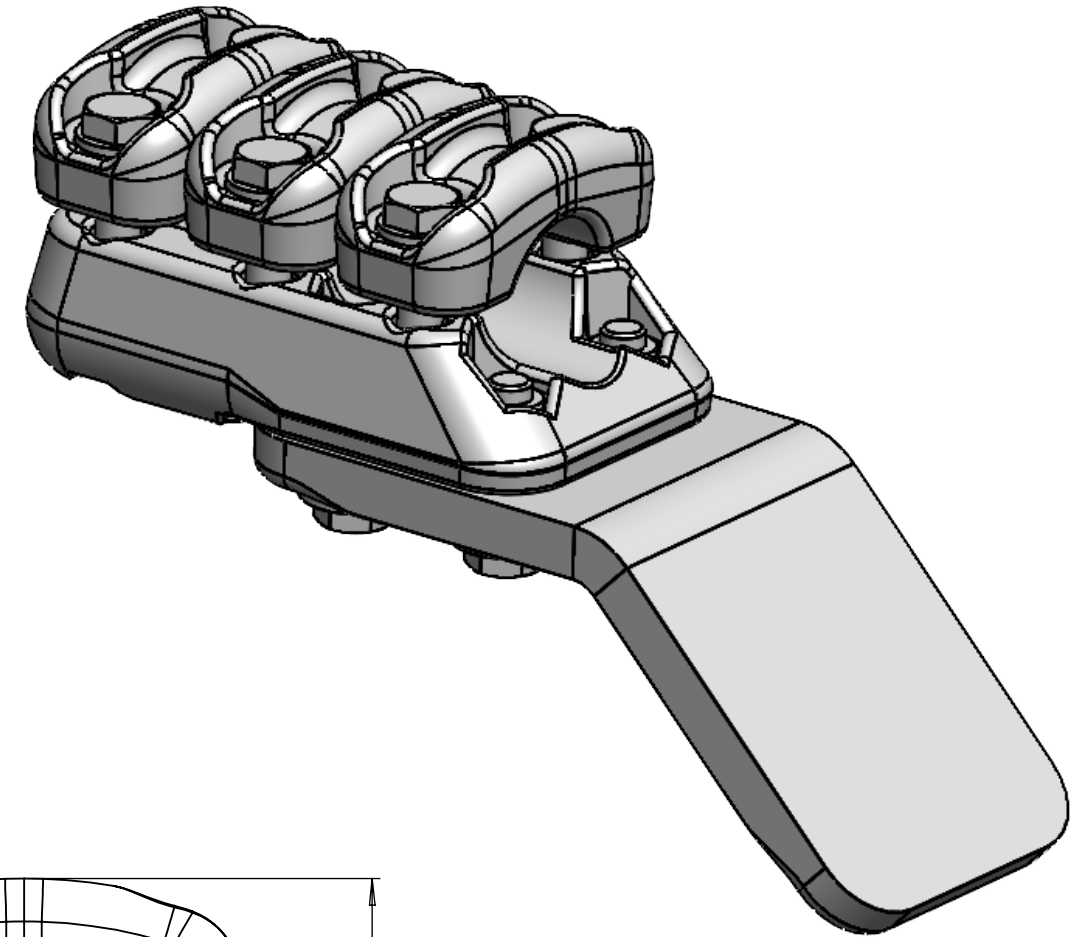


8 7 6 5 4 3 2 1

F

F

Tightening torque: 75Nm



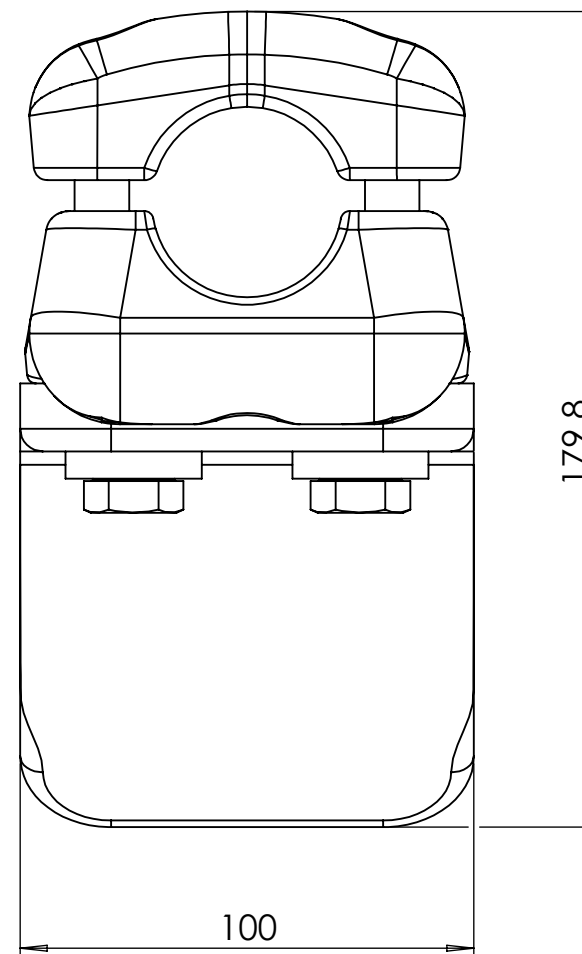
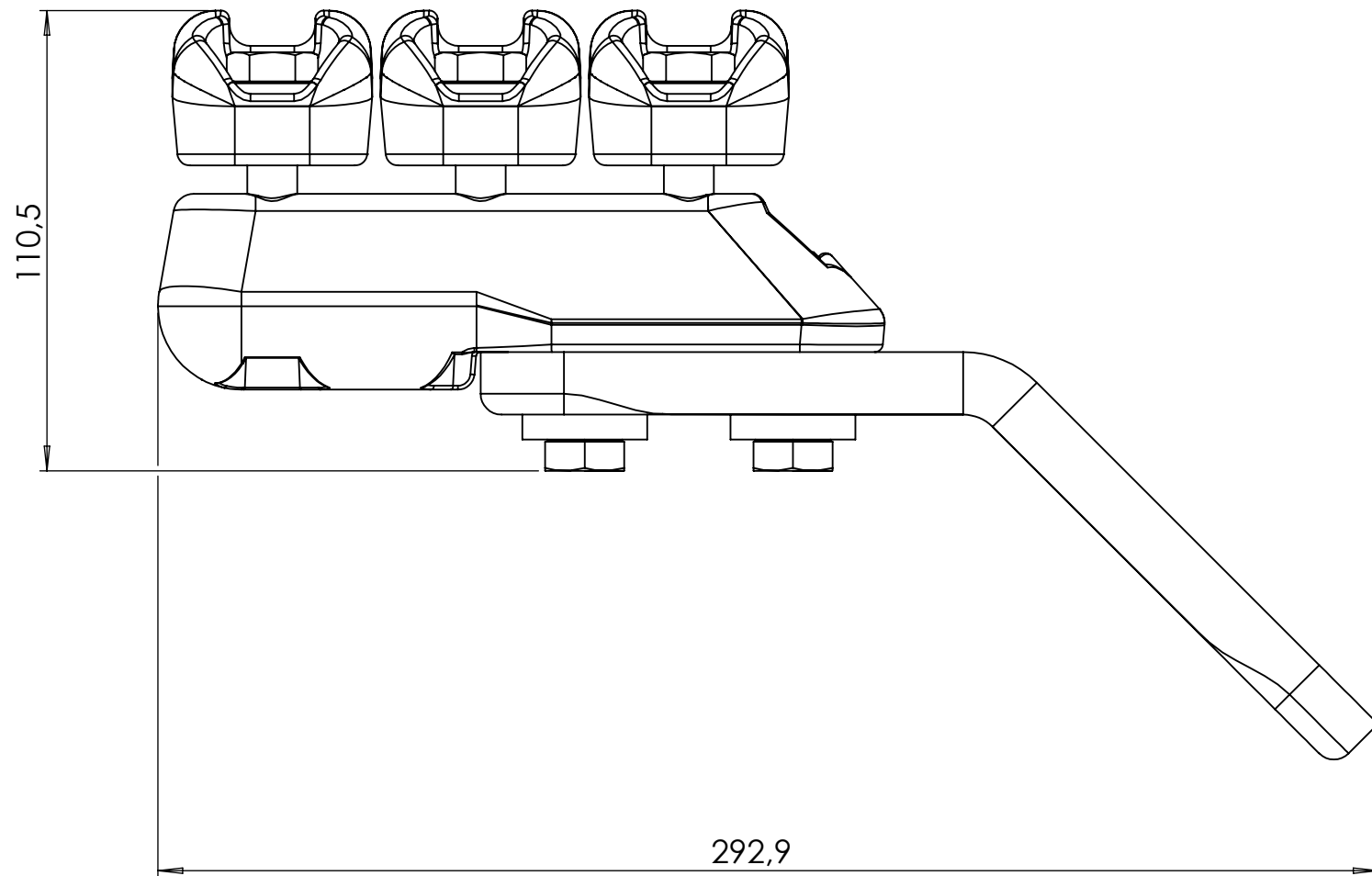
E

E

D

D

Hole D



Un	245kV
In	1600A
kA1s	63
Weight	3,485 kg
Hole d	Ø 17-37 mm
Hole D	Ø 37-47 mm

Merk:

DO NOT SCALE DRAWING	REVISION	1
----------------------	----------	---

M E L B Y E

TITLE:
MFK 45 gr. al.
skinneklemme 3D

DWG NO.	110704	A3
---------	--------	----

	NAME	SIGNATURE	DATE
DRAWN	M.Sundler		16.12.2020
APPR.	Espen Aas		16.12.2020

SCALE: 3:5	SHEET 1 OF 1
------------	--------------

A

A

8 7 6 5 4 3 2 1