

8 7 6 5 4 3 2 1

F

F

E

E

D

D

C

C

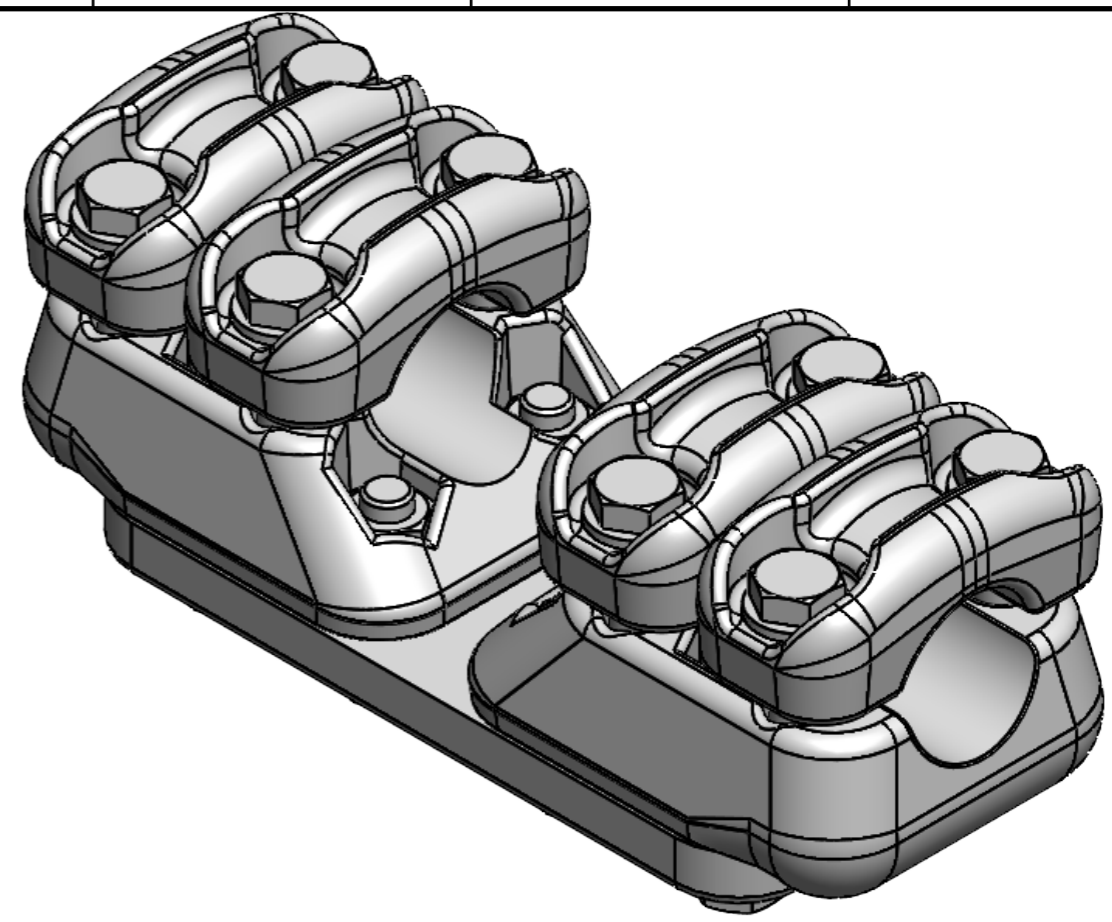
B

B

A

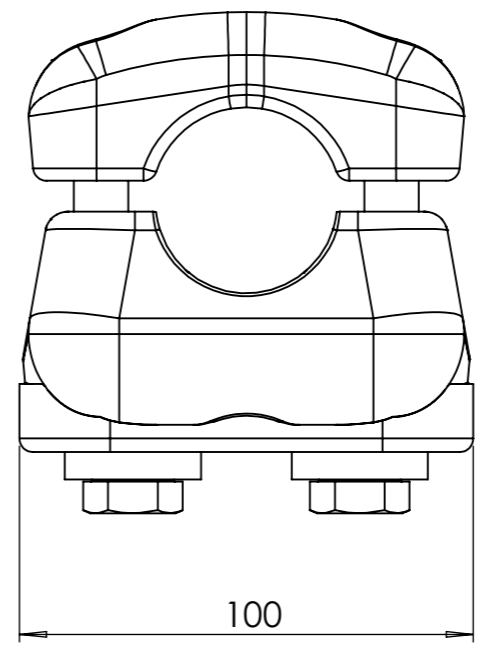
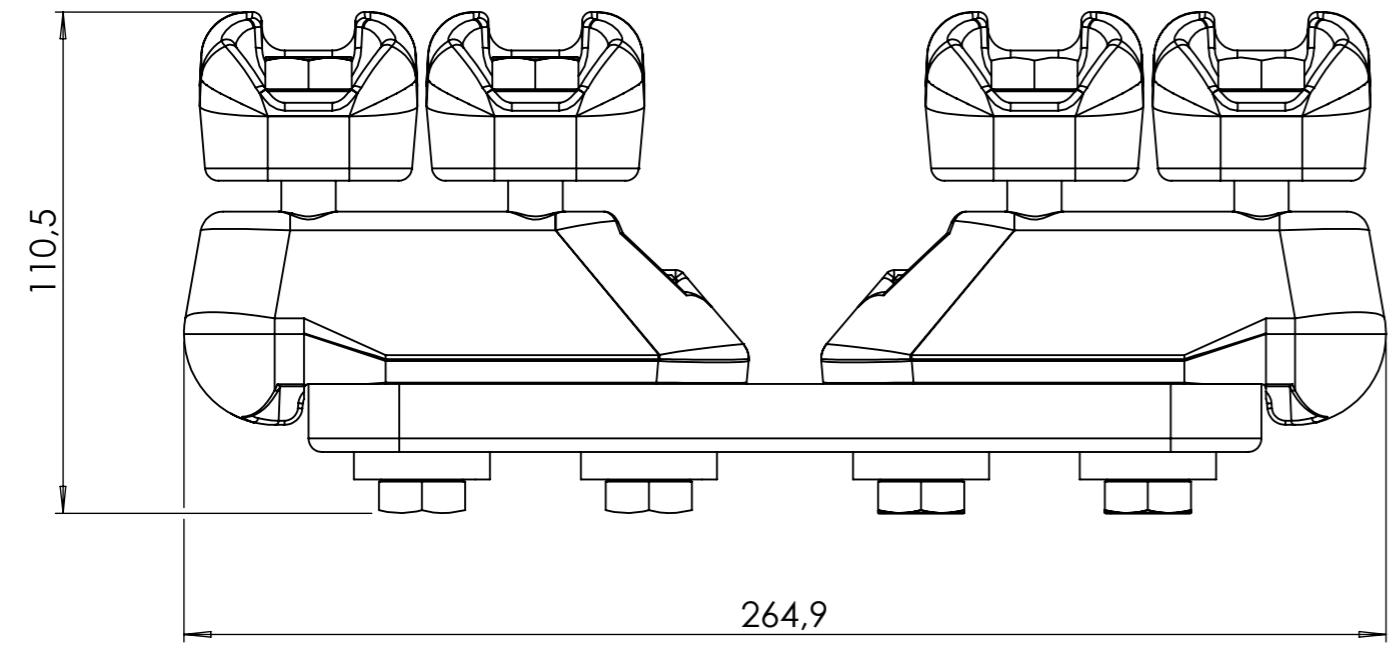
A

Tightening torque: 75Nm



Hole D

Hole D



Un	245kV
In	1000A
kAs	50
Weight	4,380 kg
Hole d	Ø 17-37 mm
Hole D	Ø 37-47 mm

Merk:

DO NOT SCALE DRAWING	REVISION	1
----------------------	----------	---

M E L B Y E

TITLE:
MFK Rett
al.klemme 2D+2D

DWG NO.	110115	A3
---------	--------	----

	NAME	SIGNATURE	DATE
DRAWN	M.Sundler		14.12.2020
APPR.	Espen Aas		16.12.2020

8 7 6 5 4 3 2 1