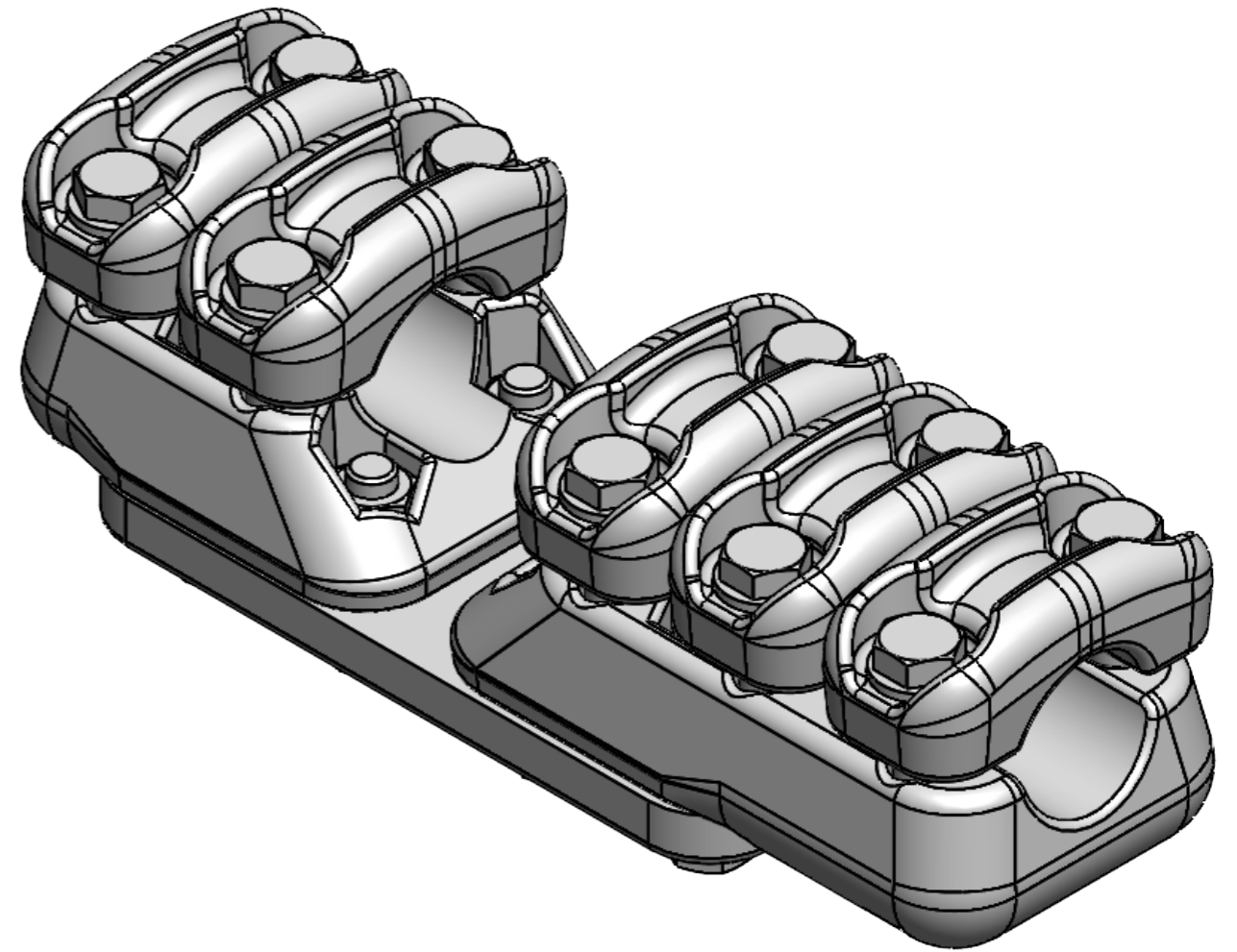


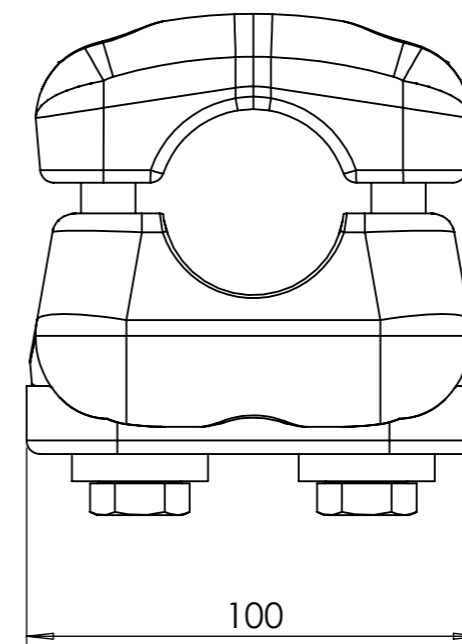
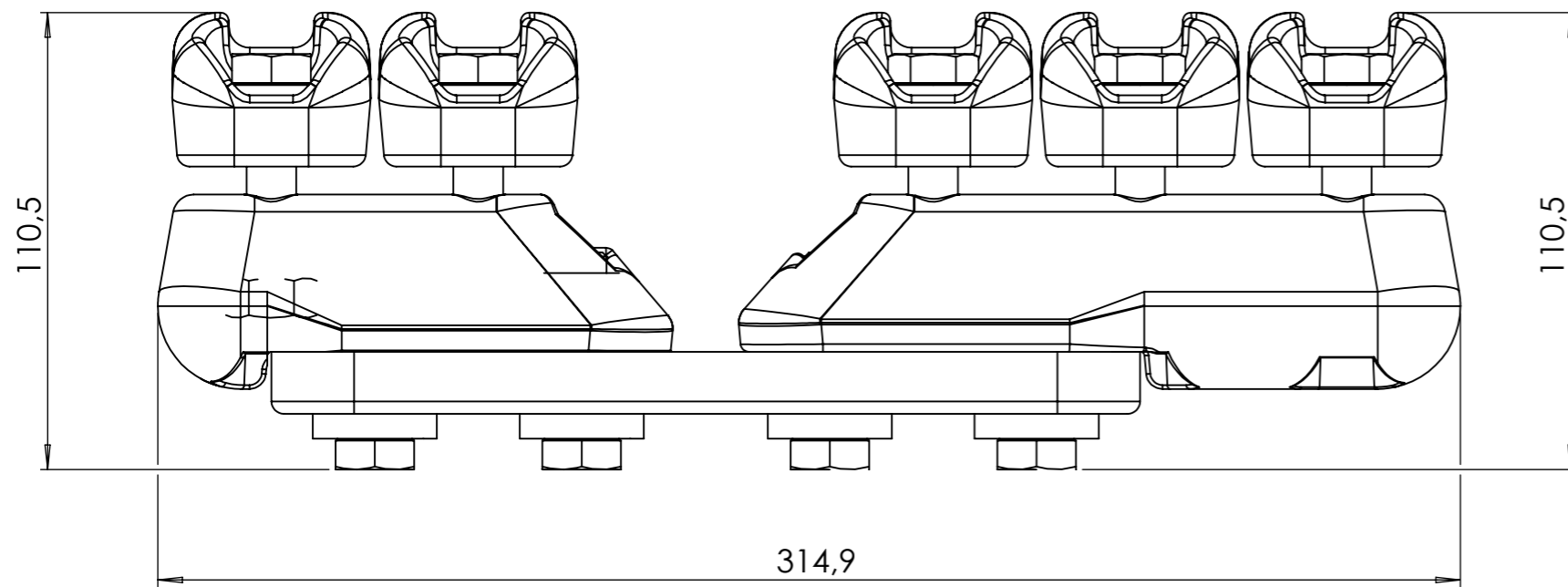
8 7 6 5 4 3 2 1



Tightening torque: 75Nm

Hole D

Hole D



Un	245kV
In	1000A
kAs	50
Weight	5,140 kg
Hole d	Ø 17-37 mm
Hole D	Ø 37-47 mm

Merk:

DO NOT SCALE DRAWING REVISION 1

M E L B Y E

TITLE:
MFK Rett
al.klemme 2D+3D

	NAME	SIGNATURE	DATE
DRAWN	M.Sundler		15.12.2020
APPR.	Espen Aas		16.12.2020

DWG NO. 110124 A3
SCALE: 3:5 SHEET 1 OF 1

8 7 6 5 4 3 2 1