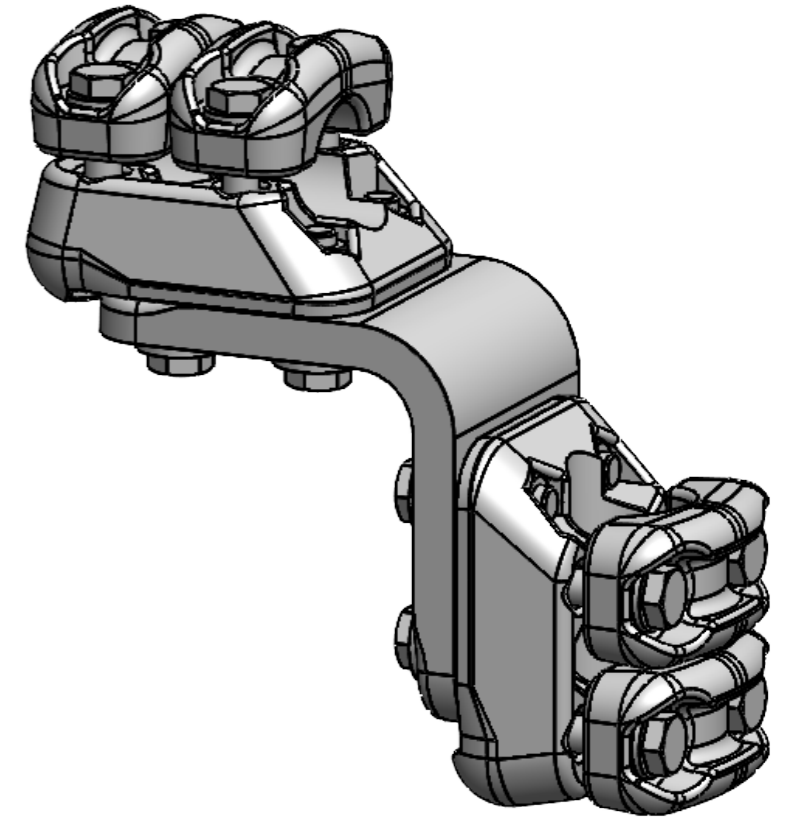


8 7 6 5 4 3 2 1

F

F

Tightening torque: 75Nm



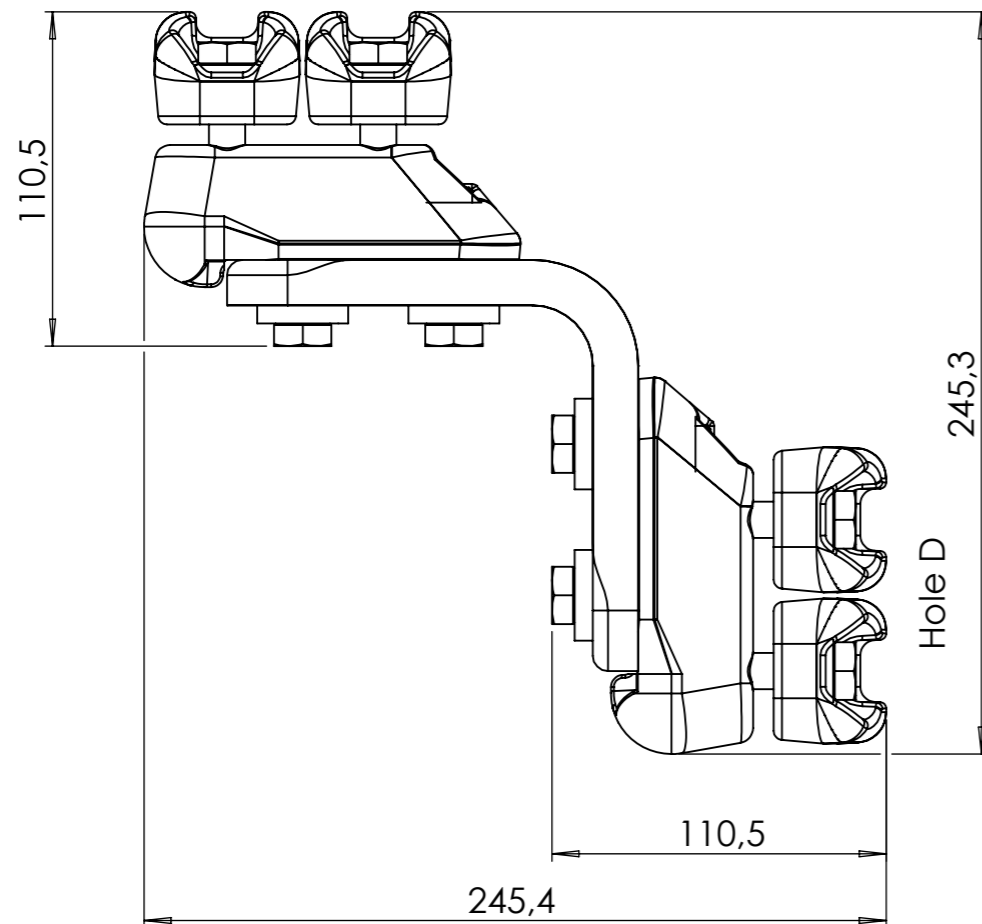
E

E

D

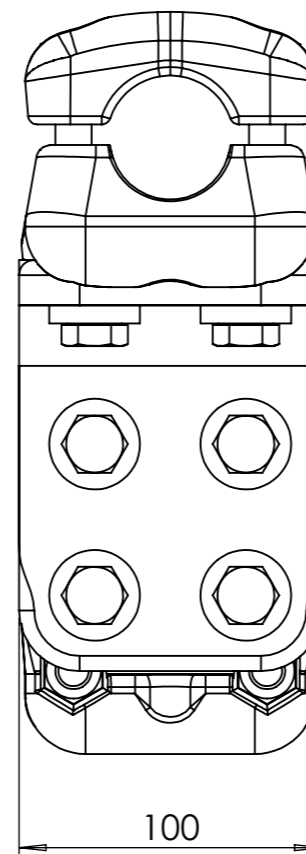
D

Hole D



C

C



B

B

Un	245kV
In	1000A
kA1s	50
Weight	4,515 kg
Hole d	Ø 17-37 mm
Hole D	Ø 37-47 mm

Merk:

A

A

DO NOT SCALE DRAWING		REVISION	1
M E L B Y E			
TITLE: MFK 90 gr. al.klemme 2D+2D			
DWG NO.	110408		A3
SCALE: 2:5	SHEET 1 OF 1		

	NAME	SIGNATURE	DATE
DRAWN	M.Sundler		16.12.2020
APPR.	Espen Aas		16.12.2020

8 7 6 5 4 3 2 1