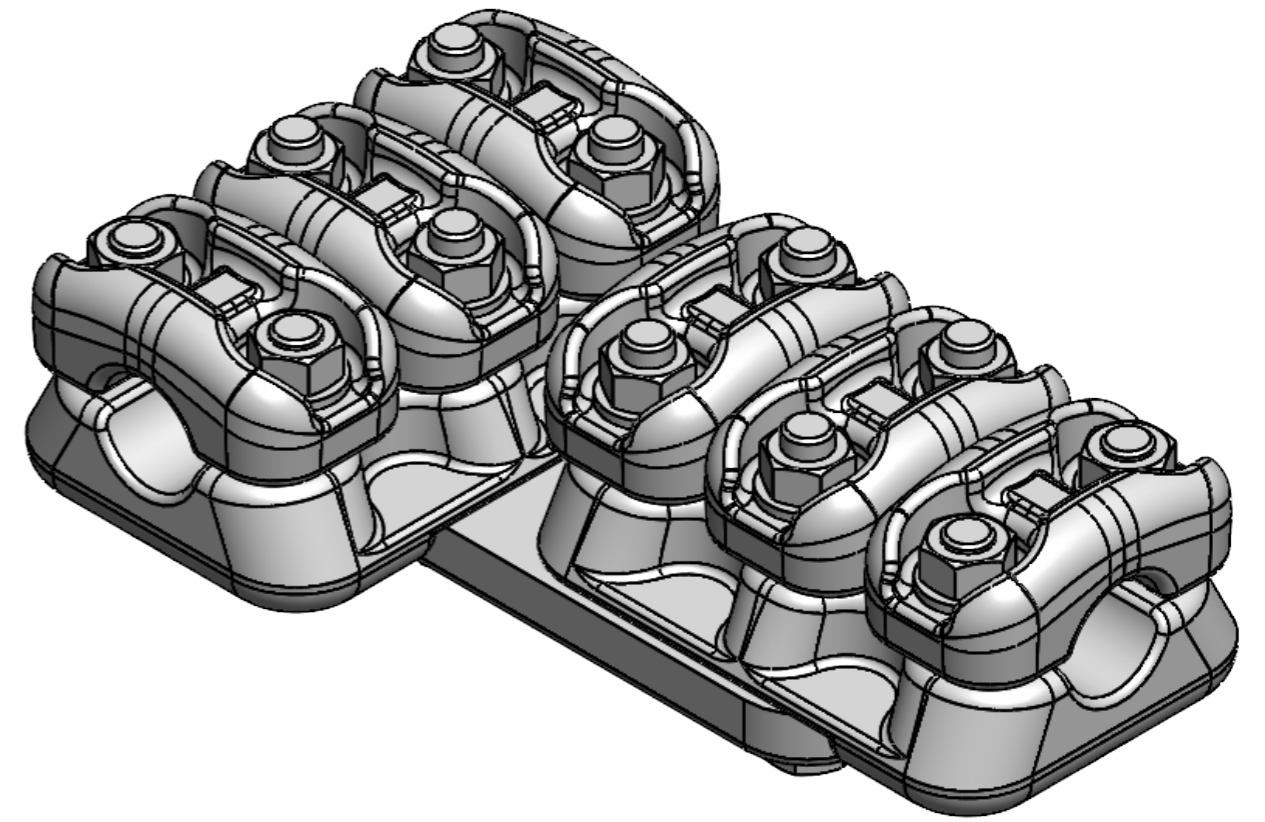
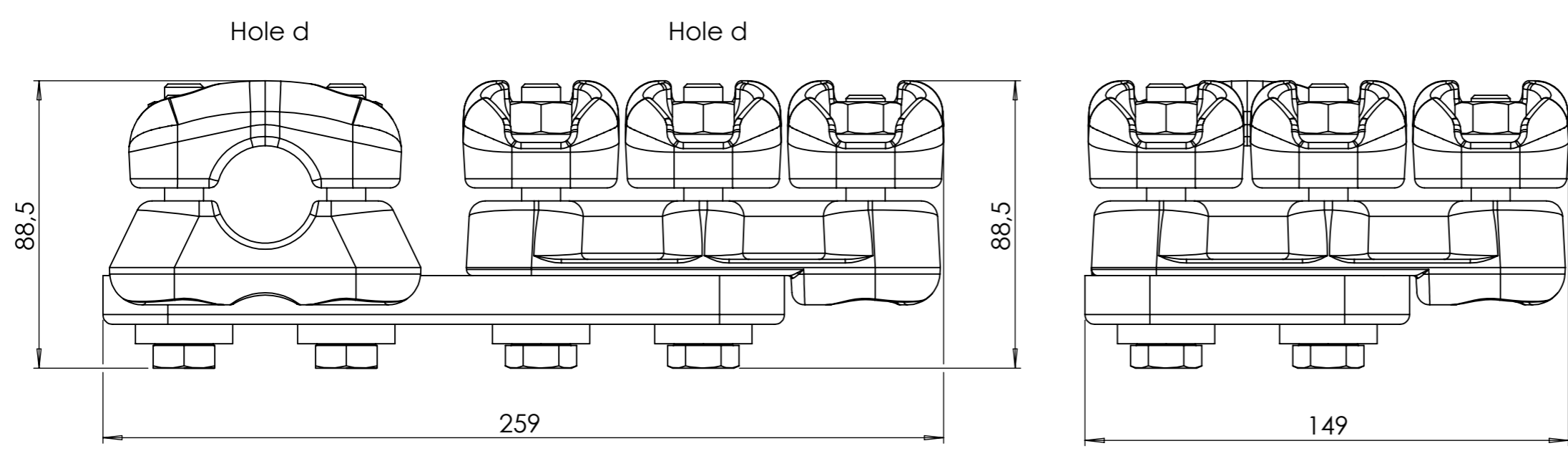


8 7 6 5 4 3 2 1



Tightening torque: 75Nm



Un	245kV
In	1300A
kA1s	63
Weight	4,388 kg
Hole d	Ø 17-37 mm
Hole D	Ø 37-47 mm

Merk:

DO NOT SCALE DRAWING REVISION 1

M E L B Y E

TITLE:
MFK T-al.klemme
3d+3d

	NAME	SIGNATURE	DATE
DRAWN	M.Sundler		14.12.2020
APPR.	Espen Aas		16.12.2020

DWG NO. 110210 A3 SHEET 1 OF 1

8 7 6 5 4 3 2 1