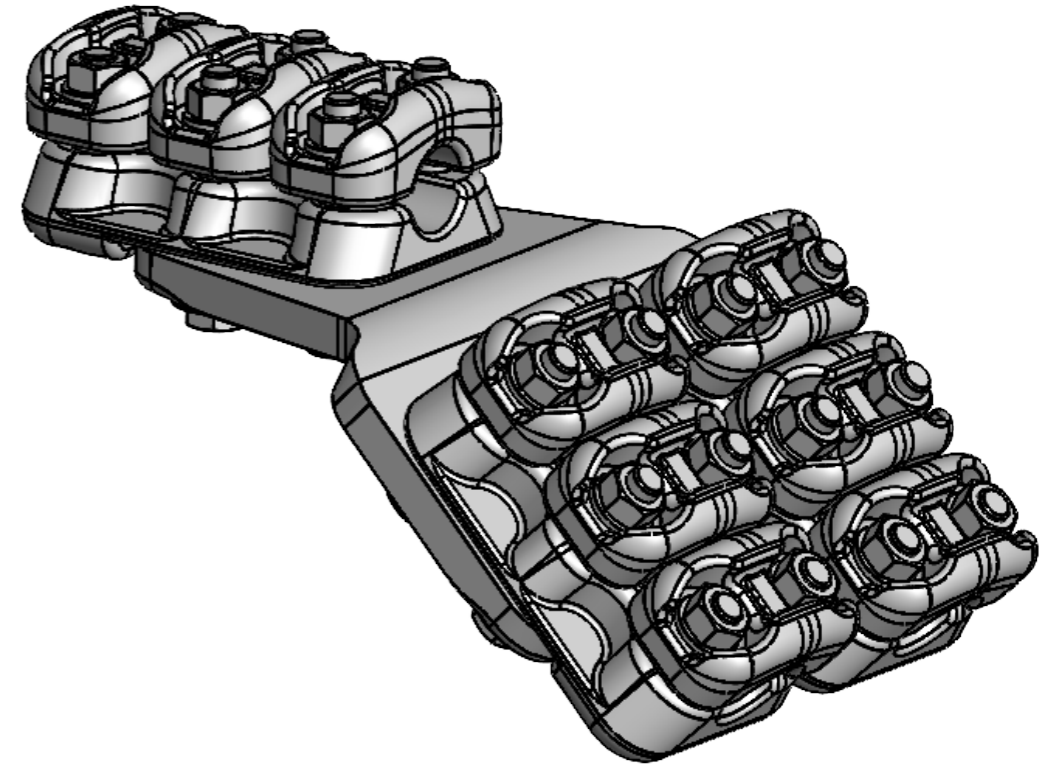


8 7 6 5 4 3 2 1

F

F

Tightening torque: 75Nm



E

E

D

D

C

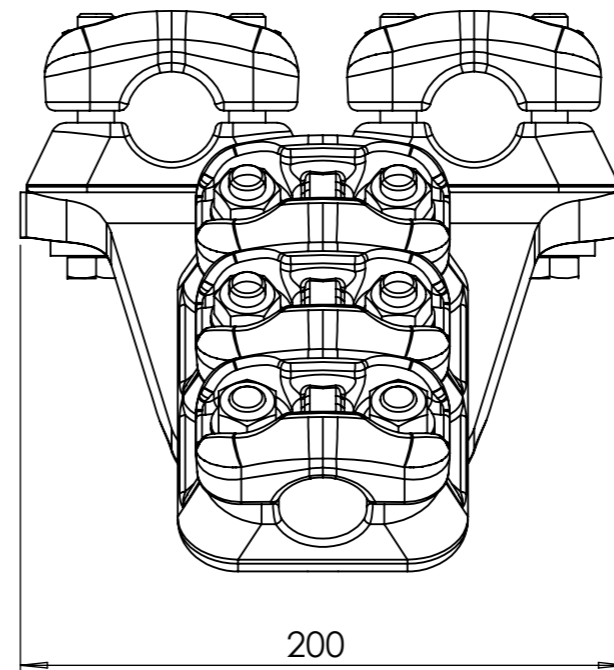
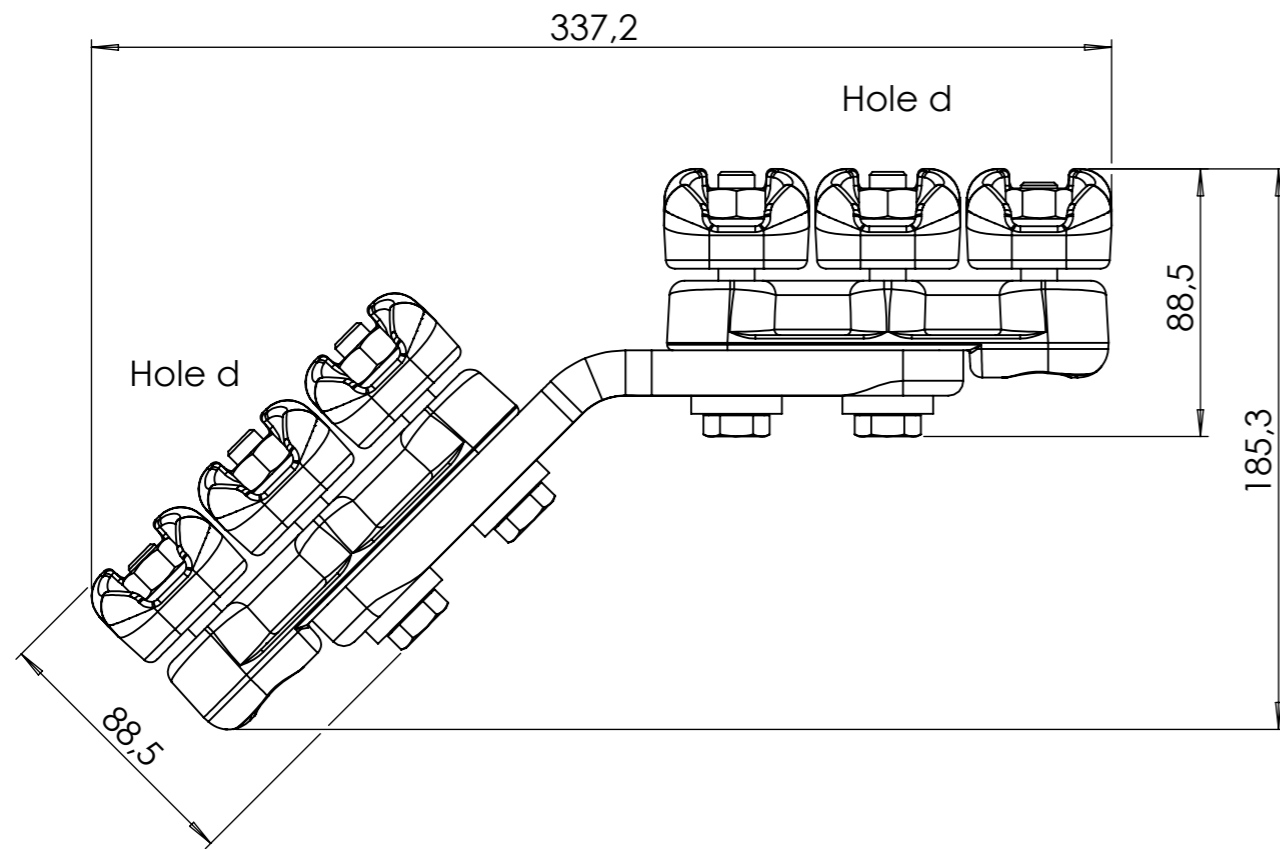
C

B

B

A

A



Un	245kV
In	1300A
kA1s	63
Weight	6,582 kg
Hole d	Ø 17-37 mm
Hole D	Ø 37-47 mm

Merk:

DO NOT SCALE DRAWING	REVISION	1
----------------------	----------	---

**M E L B Y E**

TITLE:  
MFK Duplex 45 gr.  
3x3d

	NAME	SIGNATURE	DATE
DRAWN	M.Sundler		16.12.2020
APPR.	Espen Aas		16.12.2020

DWG NO.	112111	A3
SCALE: 2:5	SHEET 1 OF 1	

8 7 6 5 4 3 2 1