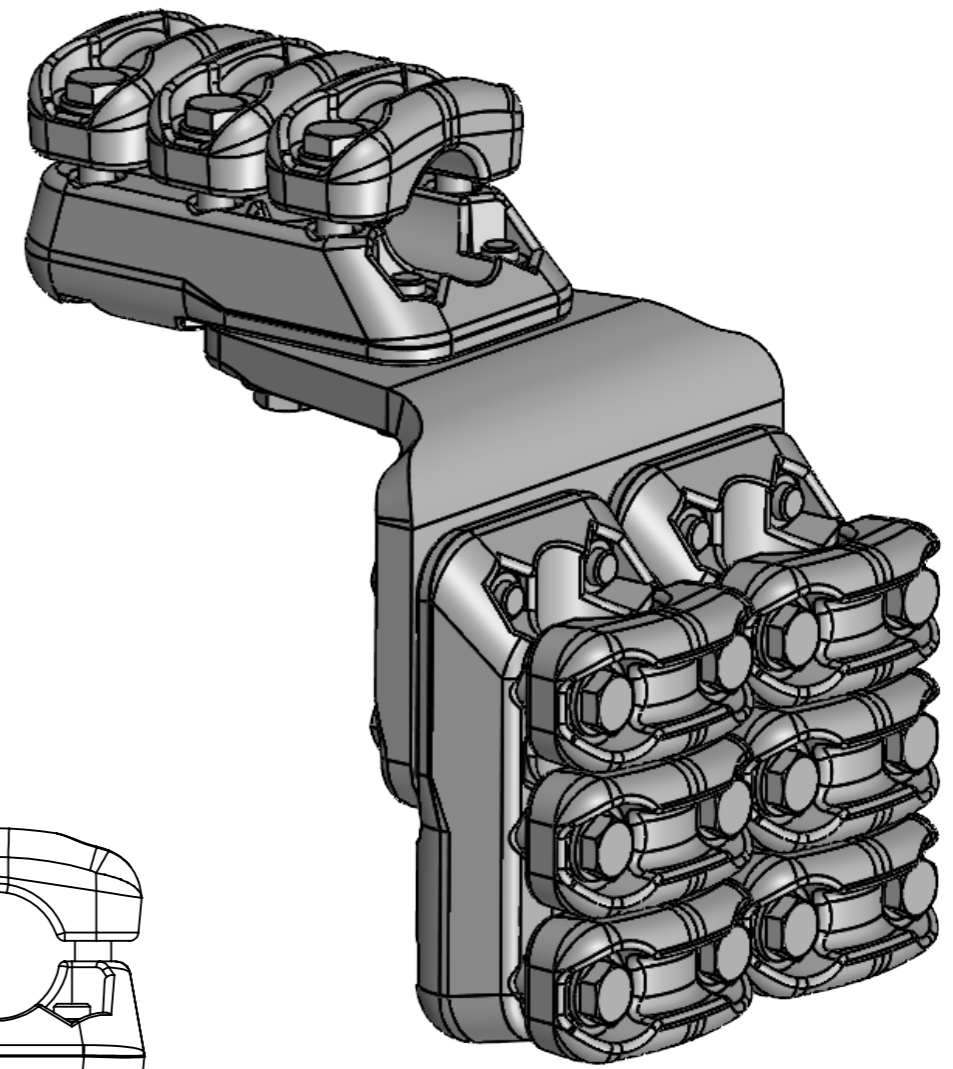


8 7 6 5 4 3 2 1

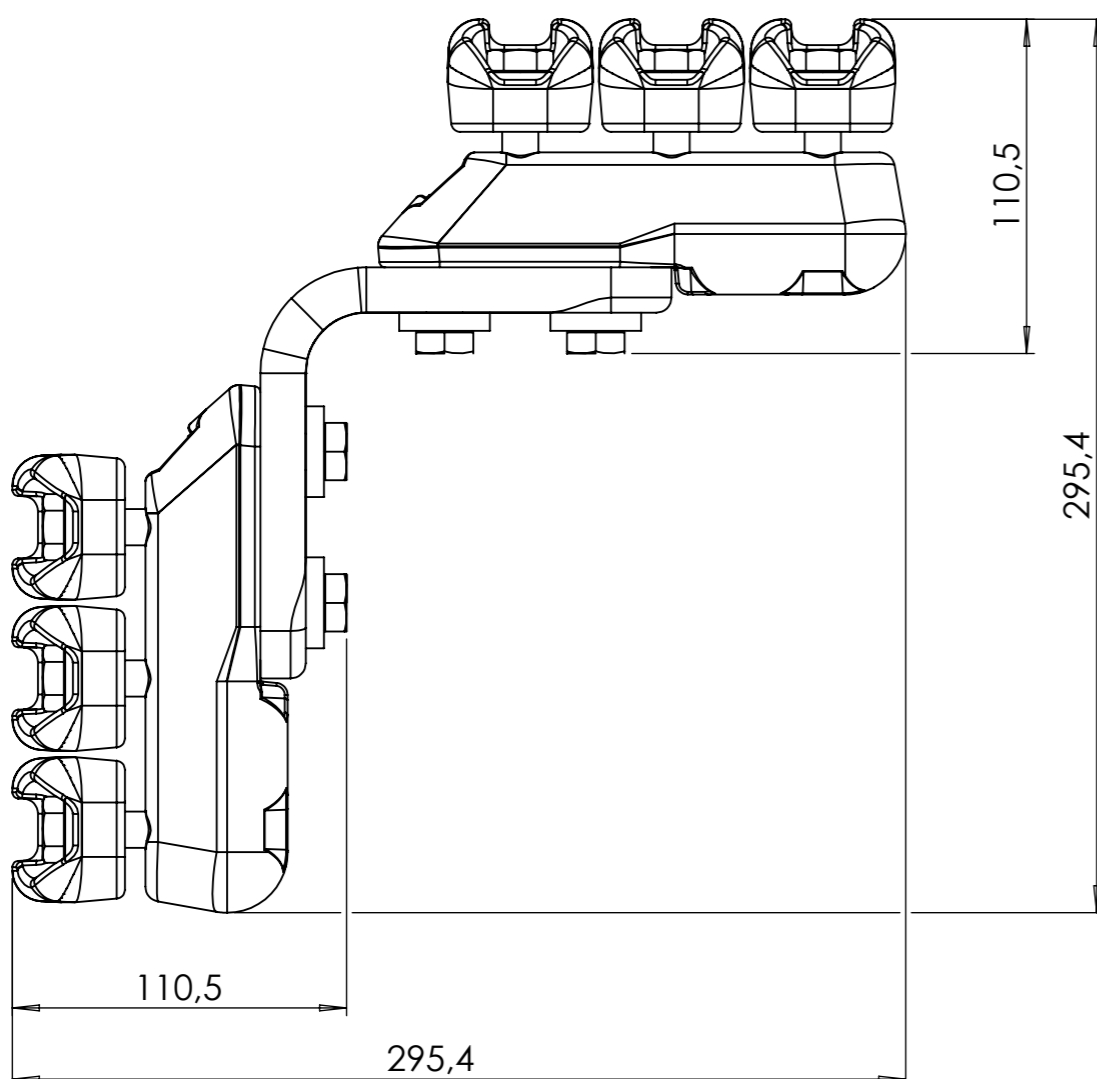
F
E
D
C
B
A

F
E
D
C
B
A

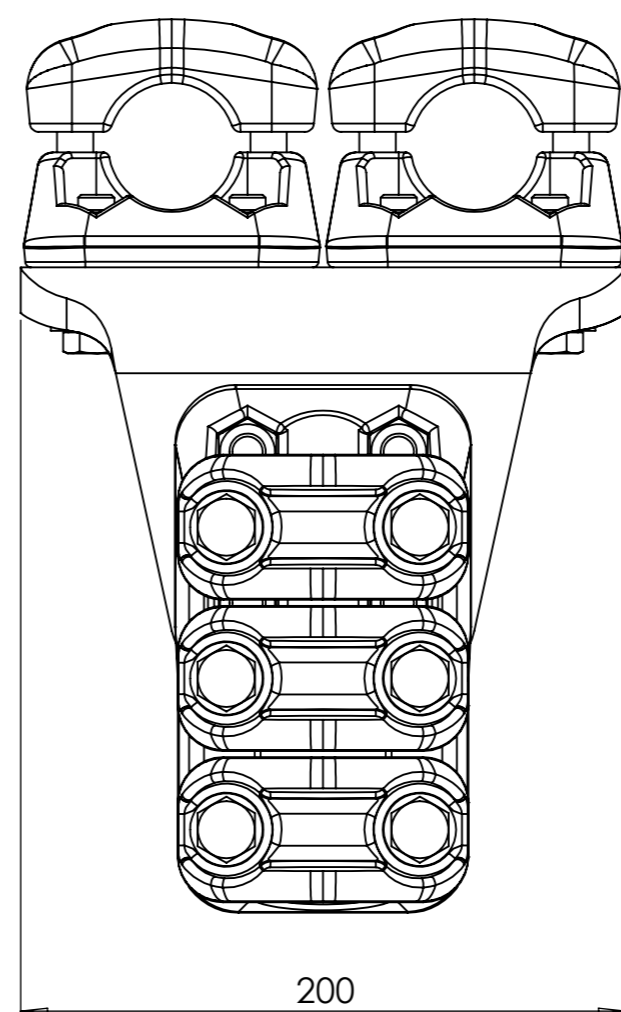
Tightening torque: 75Nm



Hole D



Hole D



Un	245kV
In	1600A
kA1s	63
Weight	8,850 kg
Hole d	Ø 17-37 mm
Hole D	Ø 37-47 mm

Merk:

DO NOT SCALE DRAWING	REVISION	1
----------------------	----------	---

M E L B Y E

TITLE:
**MFK Duplex 90 gr.
3x3D**

	NAME	SIGNATURE	DATE
DRAWN	M.Sundler		16.12.2020
APPR.	Espen Aas		16.12.2020

DWG NO.	112120	A3
SCALE: 2:5	SHEET 1 OF 1	

8 7 6 5 4 3 2 1