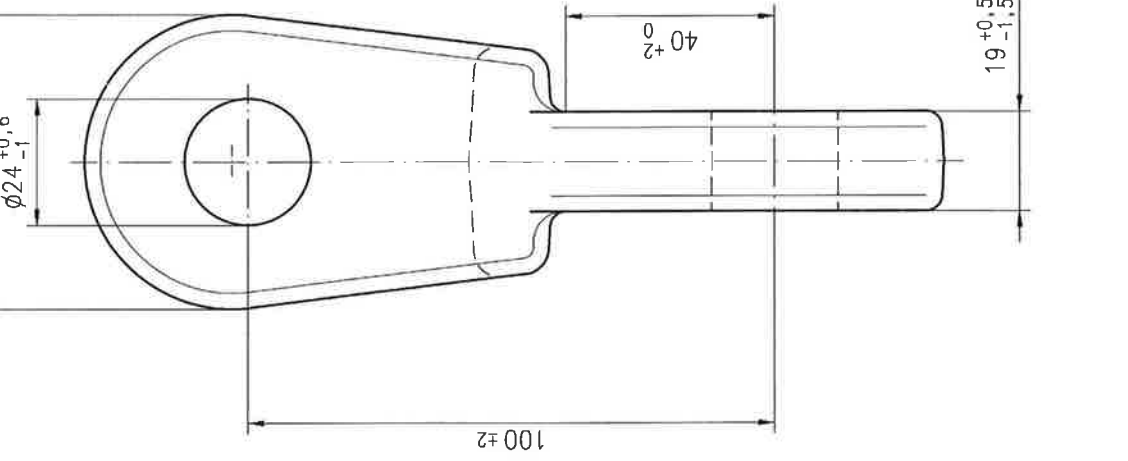


Letter		Revision		Date		Name	

This page and its indications is intellectual property of Mosdorfer Company and isn't allowed to forward those information to a third party without the written assent of Mosdorfer company.



2	1	Boil S22					8.8	hot dip galv.	
1	1	Clevis eye twisted					C-45 E + QT	hot dip galv.	
Item Qty	Description	Standard	Drg. no.	Art. no.	Material	Surface			Mass [kg]
2011	Date	Name					Replace for	23.405	Sim. to drg.-no.
Drawn	01.03.	Gruber					Replaced by		
Checked	01.03.	Wurzwal Inler					Art. No.	4265.76	
							Drg. No.		
							K_F0311067		
									Rev. Mod.
									Page
									No. of pages

Letter	Revision	Date	Name	Scale		Title
				1:1		Clevis eye twisted
						100/S22/D-24

Tolerance acc. to: EN 10243-1 F Short circuit current: 40 kA 1s Breaking load: 320 kN Mass: approx. 1,4 kg