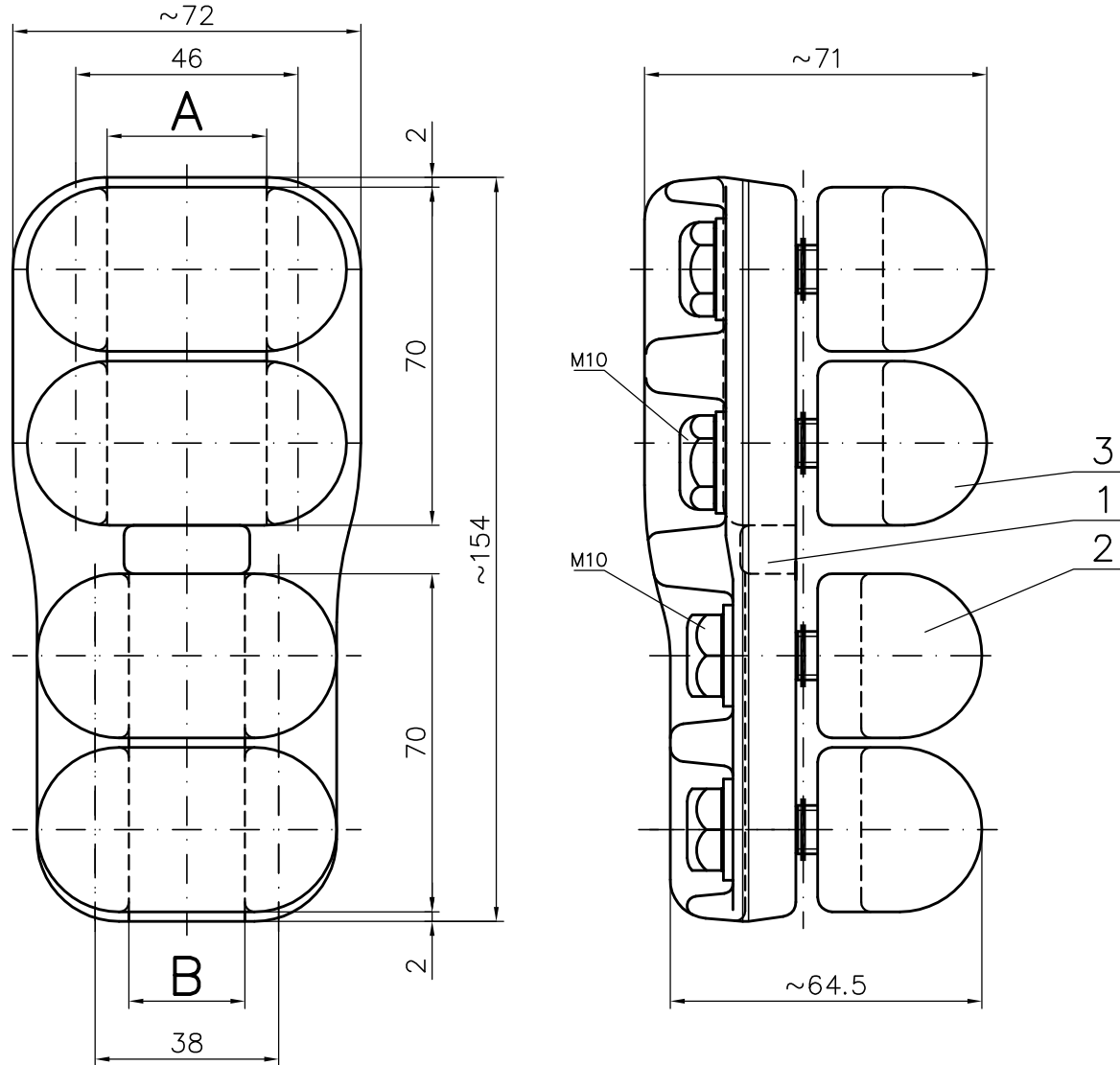


This drawing and all data contained therein is legal and intellectual property of LORÜNSER Austria GmbH and must not be altered or transmitted to any third party without our written consent.

Artikel-Nr. 1BA010-012-015  
Article-No.

Un	245 kVAC
In	1000 A
Ith	20 kA1s
Ith	11,5 kA3s



Forged Type  
Geschmiedete Ausführung

AL-Straight-Connector

Artikel-Nr. 1BA010-012-015  
Article-No.

Positions-Nr. 0651406 Position-No.	
Project-Nr. Project-No.	Bemerkung Comments
Änderung Revision	Datum Date
LL-Bezug LL-Reference	

Kundenprojekt Nummer Customer Project Number	ALUMINIUM TYP LTR, RAK-LINA TAPP
A =	ø30
B =	ø19,9
C =	
D =	

Datum/Name Date/Name	Nr. No.
22.02.2005 C Lovas	569

gez. drawn	08-04-2004 Fessler J.
gepr. appr.	08-04-2004 Motzko S.

Datum/Name Date/Name	Gewicht Weight	~1,14 Kg
Maßstab Scale	M=1:1,5	
Werkzeuge früher	vorh.	
Bauteil-Nr. Components	D1V032-2,D1V024-2;	

