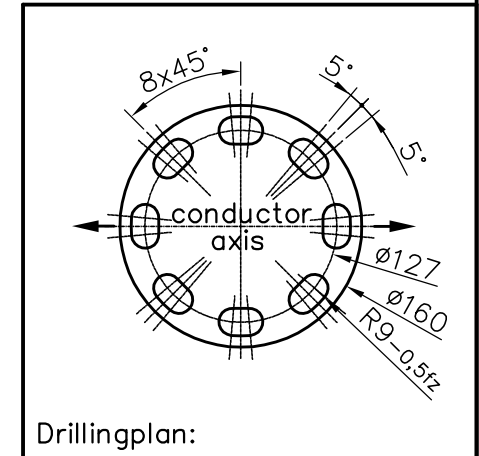
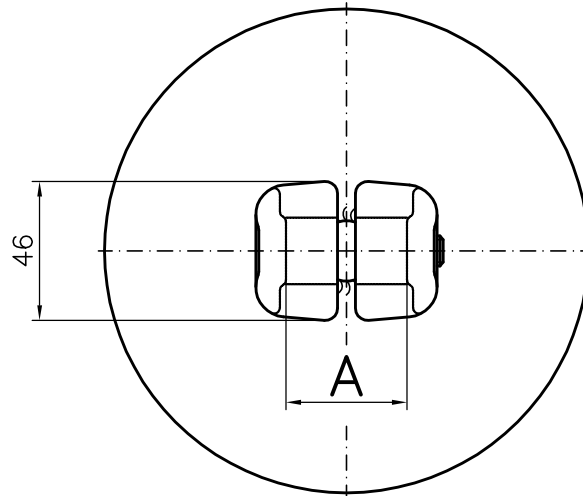
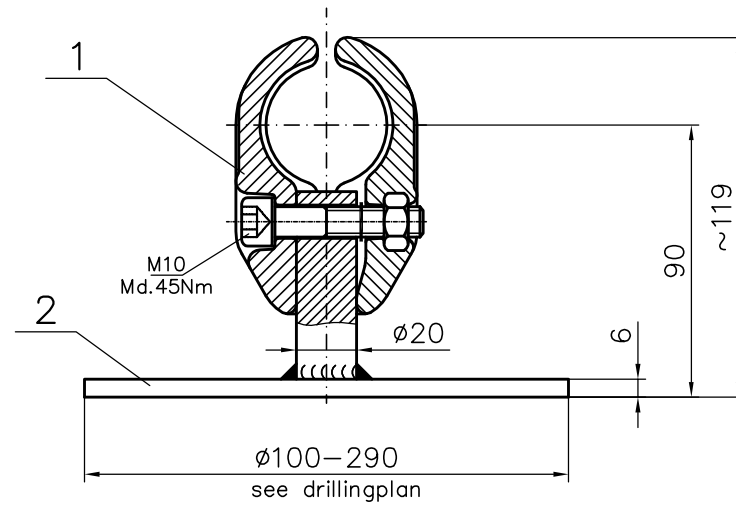


This drawing and all data contained therein is legal and intellectual property of LORÜNSER Austria GmbH and must not be altered or transmitted to any third party without our written consent.

Artikel-Nr. 1DC008-035-004
Article-No.

Um	420 kV AC
In	A
lth	kA1s
lth	kA3s



AL-Support

Artikel-Nr. 1DC008-035-004
Article-No.

Positions-Nr. 0651974
Position-No.

Kundenprojekt Nummer RÖR-OCH LINHALLARE, ALUMINIUM
Customer Project Number

A = $\varnothing 39,2$

Datum/Name Date/Name	Nr. No.
10.01.2008 Rinner N.	572

Datum/Name
Date/Name

Gewicht
Weight

~1,29 Kg

Projekt-Nr.
Project-No.

Bemerkung
Comments

B =

gez. drawn
04-11-1989 Jazbec

Maßstab
Scale

1: 2,5

Änderung
Revision

Datum
Date

C =

gepr. appr.
11-07-2000 A. Veith

Werkzeuge
früher

vorh.

LL-Bezug
LL-Reference

D =



Bauteil-Nr.
Components

