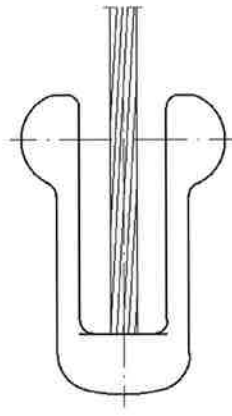
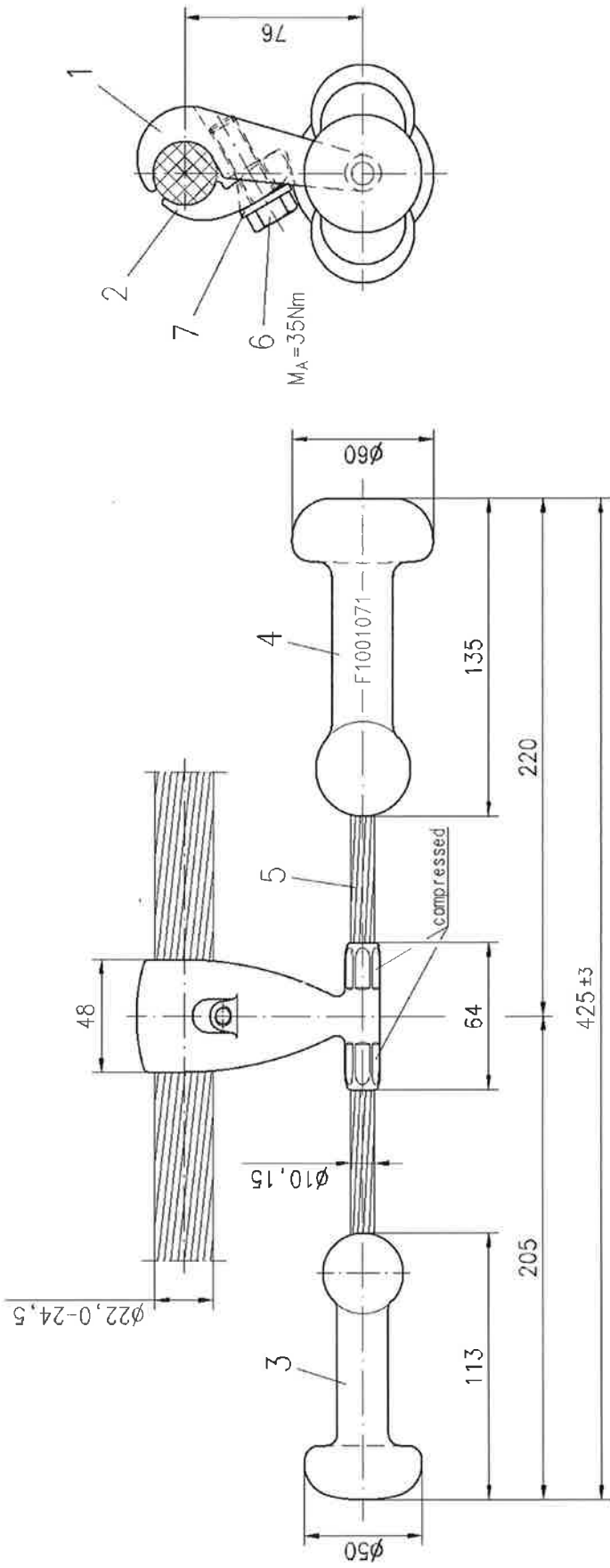


| | | | |
|---|-----------------------------------|----------|---------|
| b | ZS 100.062 (ZS 100.045) | 09.07.02 | Paissl |
| 0 | Anzugsfestmoment 35Nm (30Nm+35Nm) | 28.11.01 | Zechner |

This page and its indications is intellectual property of Mosdorfer Company and it isn't allowed to forward that information to a third party without the written assent of Mosdorfer company.

| | | | |
|--|--|--|--|
| | | | |
| | | | |
| | | | |
| | | | |
| | | | |
| | | | |



| | | | | | | | |
|---------|---|--------------------------|----------|--------------------------|-------------|---------------|------------------|
| 7 | 1 | washer A13 | DIN 125 | 1054.04 | A2 | stainless | |
| 6 | 1 | hexagon screw M12x40 | DIN 933 | 1009.45/2 | A2-F80 | stainless | |
| 5 | 1 | steel wire Ø10,15 | | D1005603 A3 ZS 100.062 | St | hot dip galv. | |
| 4 | 1 | damper weight 1,0 kg | | D1001003 A3 ZD 005.034 G | 63-25 | hot dip galv. | |
| 3 | 1 | damper weight 0,6 kg | | D1001002 A3 ZD 005.035 G | 63-25 | hot dip galv. | |
| 2 | 1 | counter piece Ø22,0-24,5 | | 134-614-513 | AlMG511 F31 | | |
| 1 | 1 | clamp Ø22,0-24,5 mm | | 134-623-347 | AlMG511 F28 | | |
| 1 | 1 | Standard | | | | | |
| Qty | | Description | Standard | Drq. no. | Material | Surface | Mass [kg] |
| 1997 | | Date | | | Replace for | | Sim. to drg.-no. |
| Drawn | | 17.01. | | | Replaced by | | F1001027 A3 |
| Checked | | 20.01. | | | Art. No. | | 9303.060/EA1 |
| | | | | | Drq. No. | | F1001071 |
| | | | | | Rev. Mod. | | b |
| | | | | | | | A3 |
| | | | | | | | No. of pages |
| | | | | | | | Page |



Stockbridge damper
for cond. Ø22,0-24,5 mm

Scale
1:2

Tolerance acc. to: ISO 2768 v Short circuit current: --- kA 1s Breaking load: --- kN Mass: appr. 2,2 kg