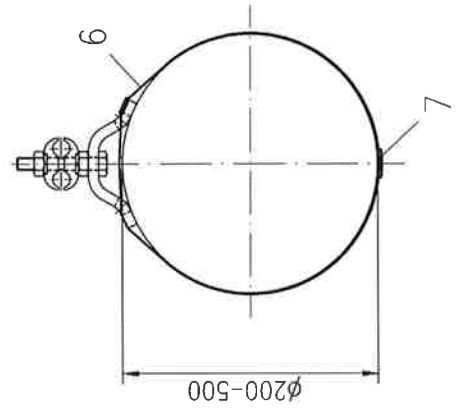
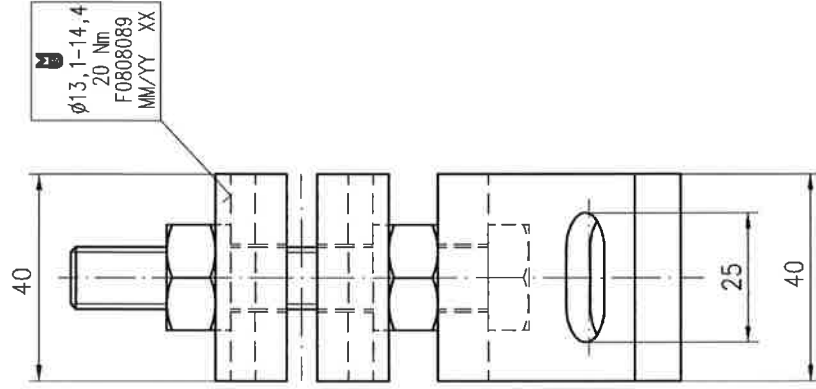
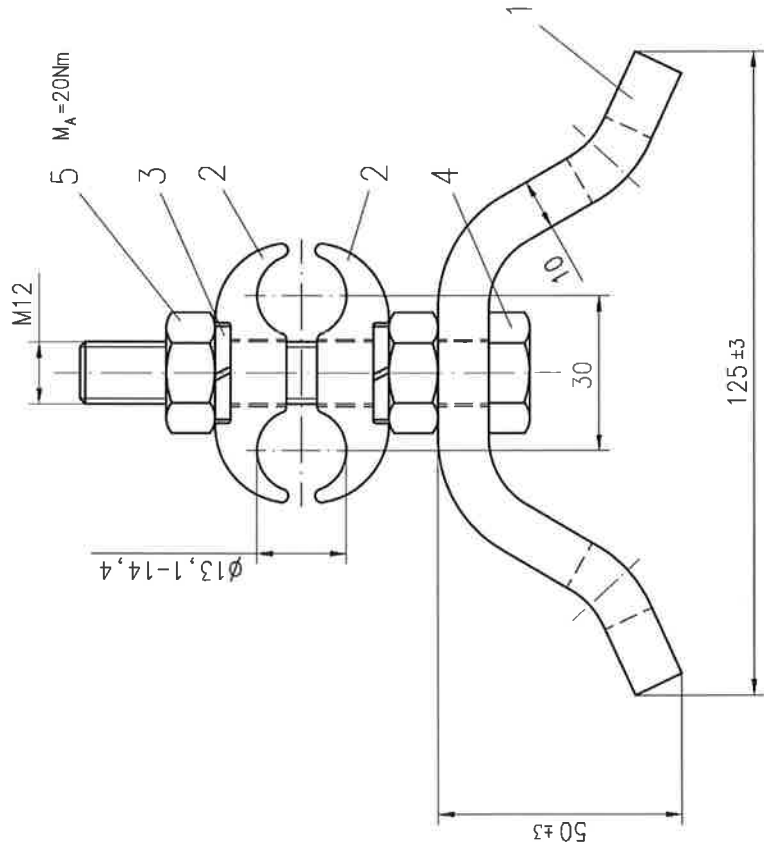


Letter	0	Hexagon Nut 1052,04/2 (1052,04/1)	26.01.2011	Murzöllner
This page and its indications is intellectual property of Mosdorfer Company and it isn't allowed to forward those information to a third party without the written assent of Mosdorfer company.				
Number		Modification	Date	Name



7	1	Buckle	ZS 100.092	St	stainless			
6	1	Strap 16x0,75	ZS 100.091	St	stainless			
5	2	Hexagon nut M12	1052.04/2	8	hot dip galv.			
4	1	Hexagon screw M12x80	DIN 934	8.8	hot dip galv.			
3	2	Spring washer 12	DIN 933	8.8	hot dip galv.			
2	2	Clamping case half	DIN 7980	St	mech. galv.			
1	1	Strap 40x10	21.169 A3	EN-AW 6082 T6				
Item Qty		Description	Standard	Drq. no.	Art. no.	Material	Surface	Mass [kg]
2005		Date	Replace for					
Drawn		30.11.	Replaced by					
Checked		30.11.	Art. No.					
			4680.0017					
			F0808082					
			Rev. Mod.					
			a					
			No. of pages					
			Page					
			A3					
			Title					
			Fastening clamp					
			for cond. $\phi 13,1-14,4$ mm					
			Scale					
			1:1					
			Tolerance acc. to: ISO 2768 v					
			Short circuit current: --- kA 1s					
			Breaking load: --- kN					
			Mass: approx. 0,5 kg					

