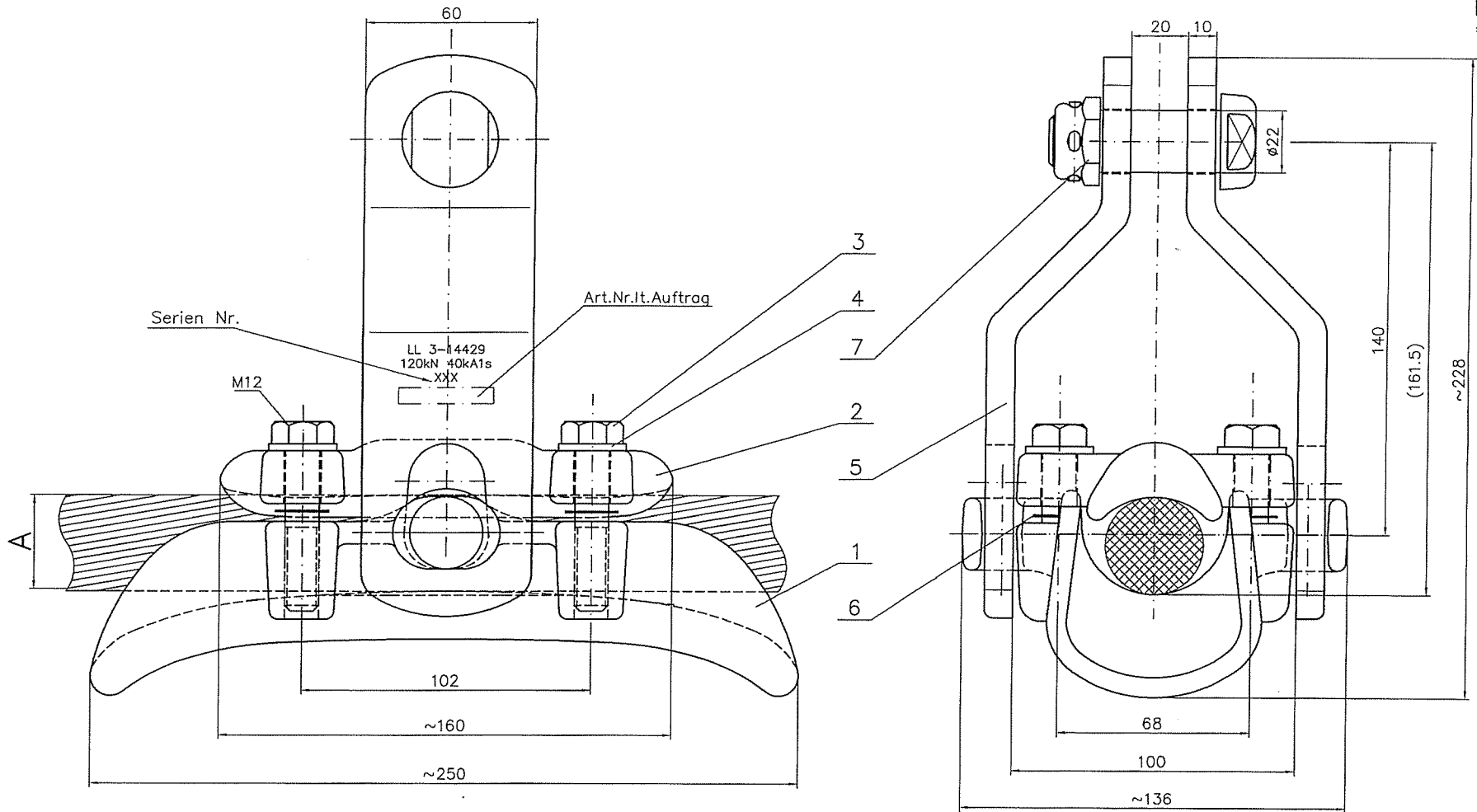


This drawing and all data contained therein is legal and intellectual property of LORÜNSER Leichtmetallwerk GmbH and must not be altered or transmitted to any third party without our written consent.

Artikel Nr. 636.07/121A  
Article No

Un \*420 kV  
In --- A  
Ith 40 kA1s

\* nur im Bündel



Benennung	AL-Hängeklemme
Description	AL-Suspension-Clamp
Artikel Nr. Article No.	636.07/121A
Bauteil Nr. Component	

Änd. Rev.	Was geändert Description	gez., Datum drawn, Date	Änd. Rev.	Was geändert Description	gez., Datum drawn, Date

A=  $\phi 35-42$   
B=  
C=  
D=  
gez.: drawn: 22-09-2003 Fessler J.  
gepr.: checked: 22-09-2003 Janssen M.  
M=1:1,5 vorh.

**LORÜNSER**  
**LEICHTMETALL**