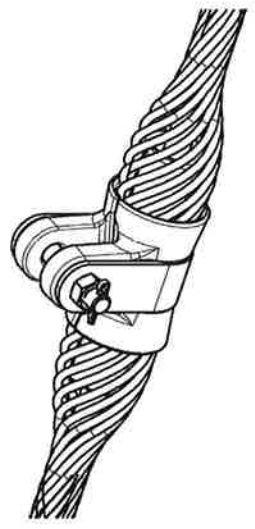
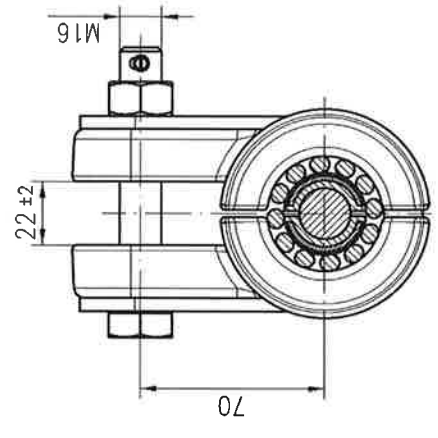
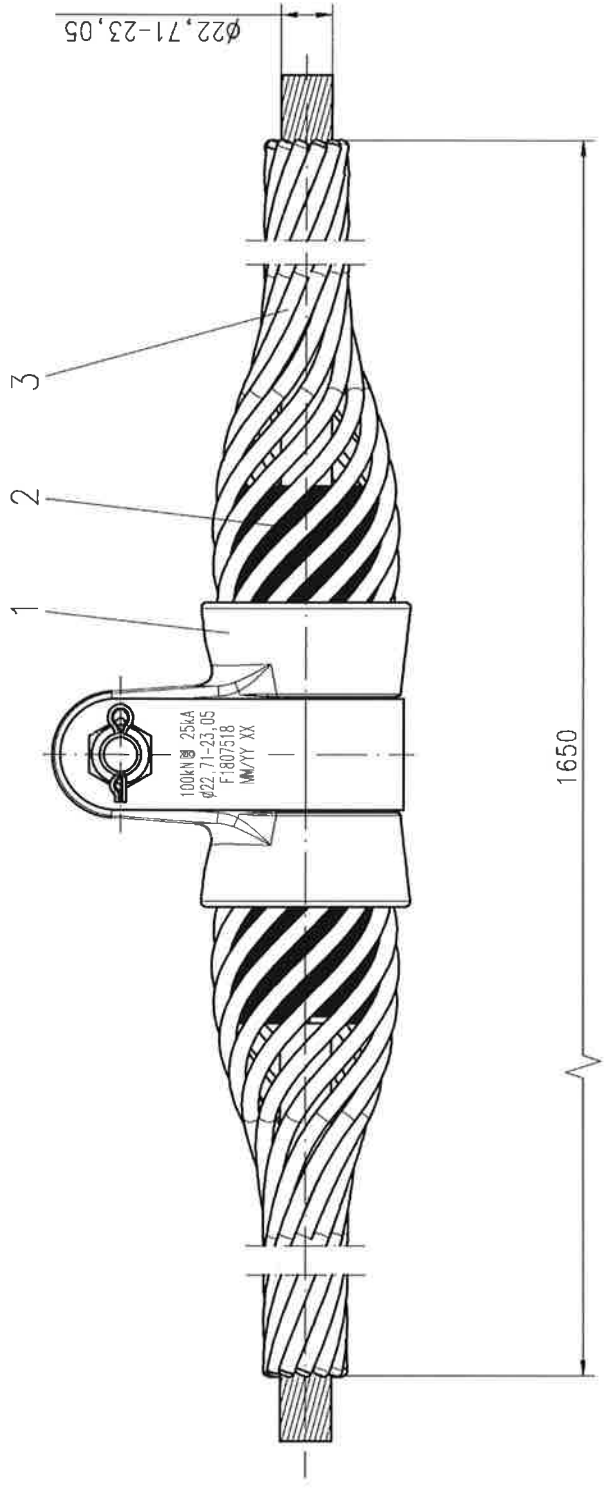


Letter	
Revision	
Date	
Name	

This page and its indications is intellectual property of Mosdorfer Company and it isn't allowed to forward those information to a third party without the written assent of Mosdorfer company.

Number	
Modification	
Date	
Name	



3	1	Armor grip	ø22,71-23,05; 12xø6,35	Al-alloy			
2	1	Insert	ø22,71-23,05	Neoprene			
1	1	Clamp set	ø19,08-23,05	Al-alloy			
Item Qty	Description	Standard	Drq. no.	Art. no.	Material	Surface	Mass [kg]
2013	Date	Replace for					
Drawn	13.08.	Replaced by					
Checked	13.08.	Art. No. 4361.28/2/A0					
		Type Drq. No. Rev. Mod.					
		Suspension Clamp Armor Grip type K F1807518 A3					
		for cond. ø22,71-23,05 mm					
		Scale NTS					
		No. of pages Page					

Tolerance acc. to: ISO 2768-VL Short circuit current: 25 kA 1s Breaking load: 100 kN Mass: approx. 3,6 kg