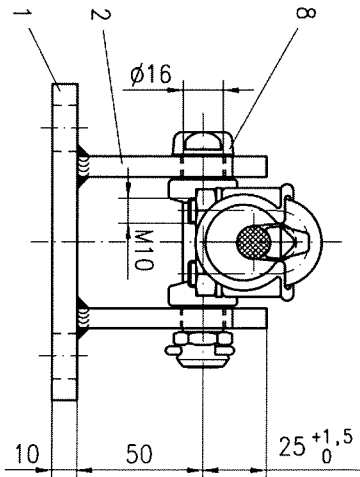
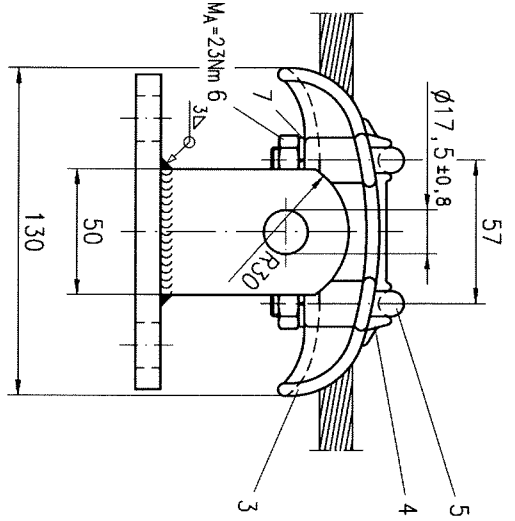
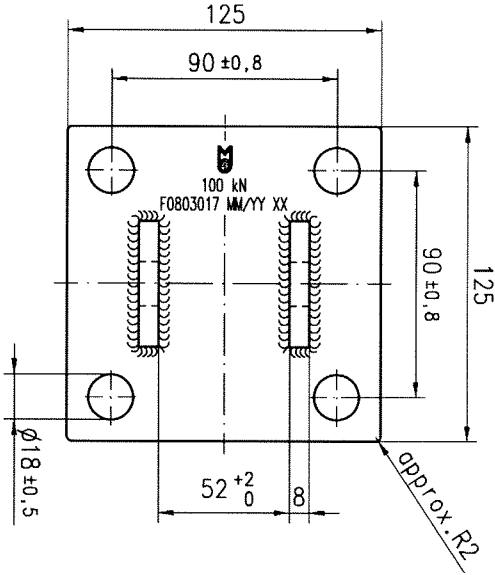


This page and its indications is intellectual property of Mosdorfer Company and it isn't allowed to forward those information to a third party without the written assent of Mosdorfer company.

Mat.aktualisiert, Supplier code	09.02.2009	Wild W.
Letter	Revision	Date

Number	Modification	Date	Name
--------	--------------	------	------

Tolerance acc. to: ISO 2768 v  
 Short circuit current: --- KA 1s  
 Breaking load: 100 kN  
 Mass: approx. 2,5 kg



Qty	Description	Standard	Drq. no.	Art. no.	Material	Surface	Mass [kg]
1	Bolt St6x70			1046, 106/3	8, 8	hot dip galv.	
4	Spring washer B10	DIN 127		1064, 03	St	mech. galv.	
4	Hexagon nut M10	DIN 934		1052, 03/6	8	hot dip galv.	
2	U-bolt M 10		00404002	28 005, 002	5, 6	hot dip galv.	
1	Counter piece 6-12,7 mm		20, 954 A4	20 035, 159	EN-JS 1030	hot dip galv.	
2	Body 6-12,7 mm		20, 953 A3	25 060, 063	EN-JS 1030	hot dip galv.	
2	Strip 50x8			Z 4615, 01	S355J2	hot dip galv.	
1	Plate 125x125			Z 4615, 01	S355J2	hot dip galv.	

Scale	1:2
Title	Oscillating earthwire clamp
for cond	for cond 6-12,7 mm
Drq. No.	F0803017
Art. No.	4615, 01
Replaced by	
Art. No.	
Replace for	21, 822 A4
Art. No.	
Sim. to drq.-no.	F0803011
Rev. Mod.	A3
Page	q
No. of pages	

