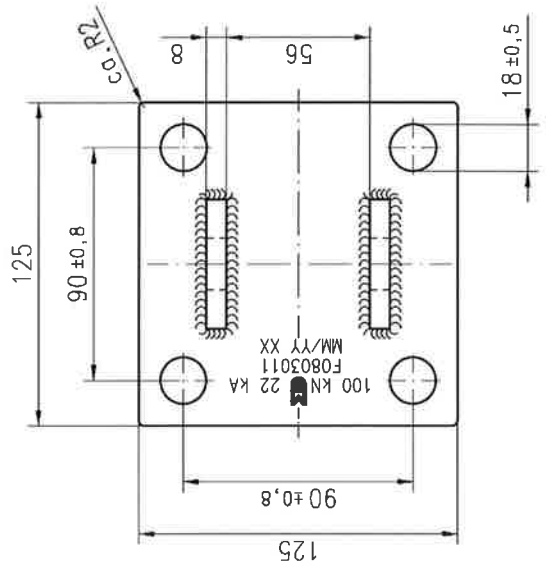
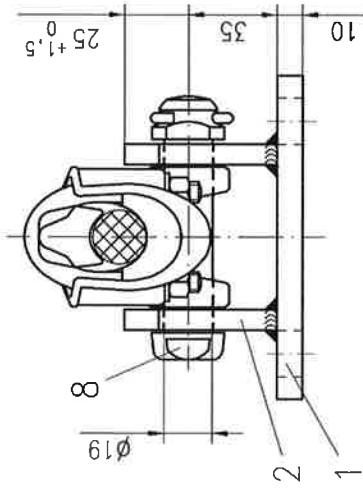
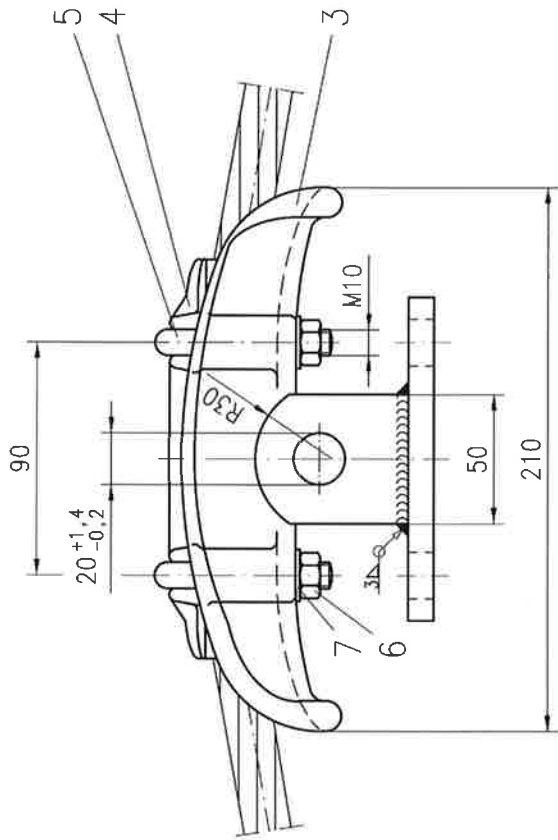


Letter	0	M10 nut 1052.03/6 (1052.03/1)	16.08.2010	Murzöllner
This page and its indications is intellectual property of Mosdorfer Company and it isn't allowed to forward those information to a third party without the written assent of Mosdorfer company.				
Number		Modification	Date	Name



8	1	bol. S.19x73	DIN 48073	1046.84	5.6	hot dip galv.		
7	4	spring washer B10	DIN 127	1064.03	5.1	mech. pl.		
6	4	hexagon nut M10	DIN 934	1052.03/6	8	hot dip galv.		
5	2	u-bolt M 10	D0404010 A4	ZB 005.025	C 45 E + OT	-  -		
4	1	counter piece ø 9-16,5 mm	4.926 A4	ZB 035.150	GK-AISI 12	-  -		
3	1	body ø 9-16,5 mm	4.832 A3	ZS 060.055	GK-AISI 12	-  -		
2	2	strap 50x8	Z 4616.04	S355J2G3	hot dip galv.	-  -		
1	1	plate 125x125	Z 4616.04	S355J2G3	-  -	-  -		
Lim Qty		Description	Standard	Drq. no.	Art. no.	Material	Surface	Mass (kg)
1999		Date	Name					
Drawn		15.11.	<i>Bauer</i>	Replace for 14.178 A4 Sim. to drg.-no. F0803007 A3				
Checked		-  -	<i>Re</i>	Replaced by 4616.04				
Title		Oszillating earthing clamp			Drq. No.		F0803011	
Scale		1:2			Rev. Mod.		a A3	
Tolerance acc. to:		ISO 2768 v			Short circuit current:		22 kA 1s	
Breaking load:		100 kN			Mass:		ca. 2,5 kg	
No. of pages					Page		4616.04	