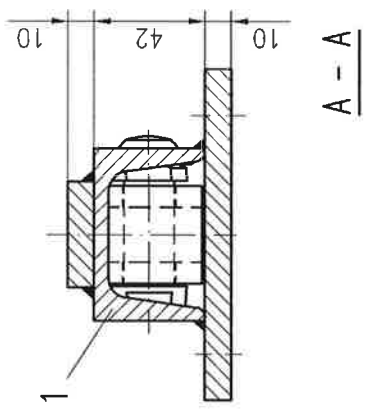
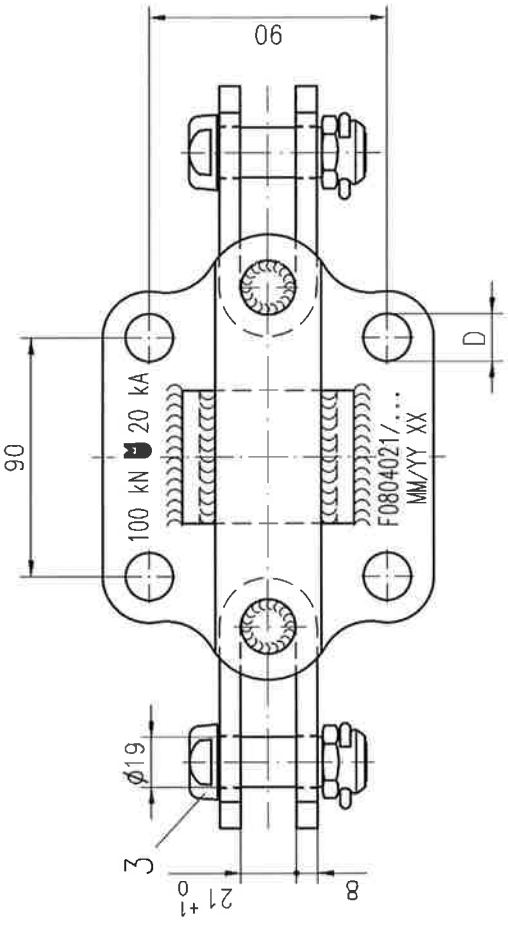
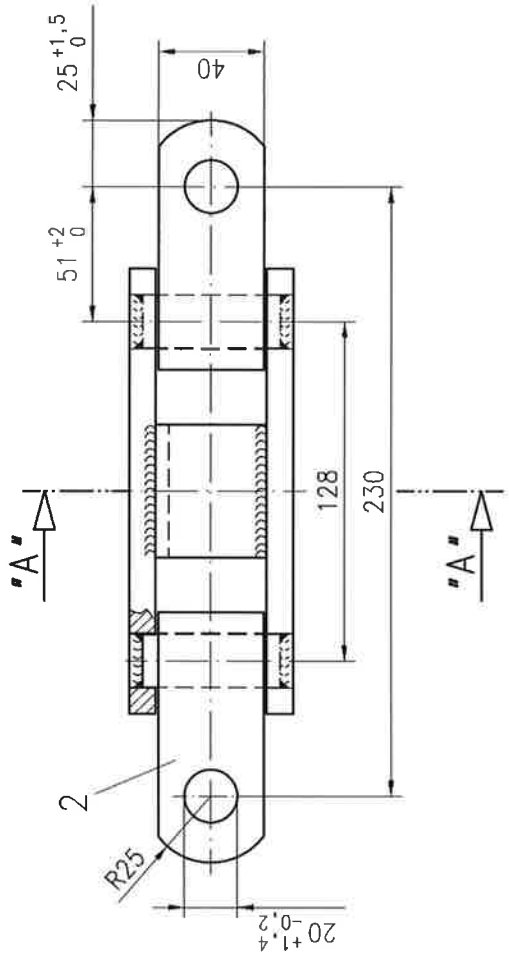


C	Mat. 8,8(5,6), 20 kA nachgetr.	09.06.1998	Grimm
B	Type 4 nachgetr.	07.05.1997	Grimm
A	Type 3 nachgetr.	25.06.1996	Grimm

This page and its indications is intellectual property of Mosdorfer Company and it isn't allowed to forward these information to a third party without the written assent of Mosdorfer company.

Number	d	Zng. überarbeitet	20.11.2007	Grimm
Modification				
Date				
Name				



Type	Art.-nr.	D	Acc.-nr.
1	4652.02/0	18 ^{+0,5}	ZG 075.030
2	4652.02/1	16 ⁺¹	ZG 075.065
3	*) 4652.02/0I	23,5 ⁺¹	ZG 075.066
4	4652.02/6	13,5 ⁺¹	ZG 075.067

*) Design for Insulating

3	Bolt S19x38	DIN 48073	1046.14/0	8.8	hot dip galv.		
2	Hinge	D0806005	ZG 035.030	S355J2	hot dip galv.		
1	Groundwire bracket	D0806001/.	s.Tab.	Steel	hot dip galv.		
Item Qty	Description	Standard	Drq. no.	Art. no.	Material	Surface	Mass [kg]
1996	Date	Name	Replace for				
Drawn	21.05.	<i>Grimm</i>	Replaced by				
Checked	23.05.	<i>Ze</i>	Art. No.				
			s.Tab.				
			Title				
			Drq. No.				
			Rev. Mod.				
			F0804021				
			No. of pages				
			Page				



Groundwire bracket
without clamps

Scale
1:2

Tolerance acc. to: ISO 2768 v Short circuit current: 20 kA 1s Breaking load: 100 kN Mass: approx. 3,6 kg