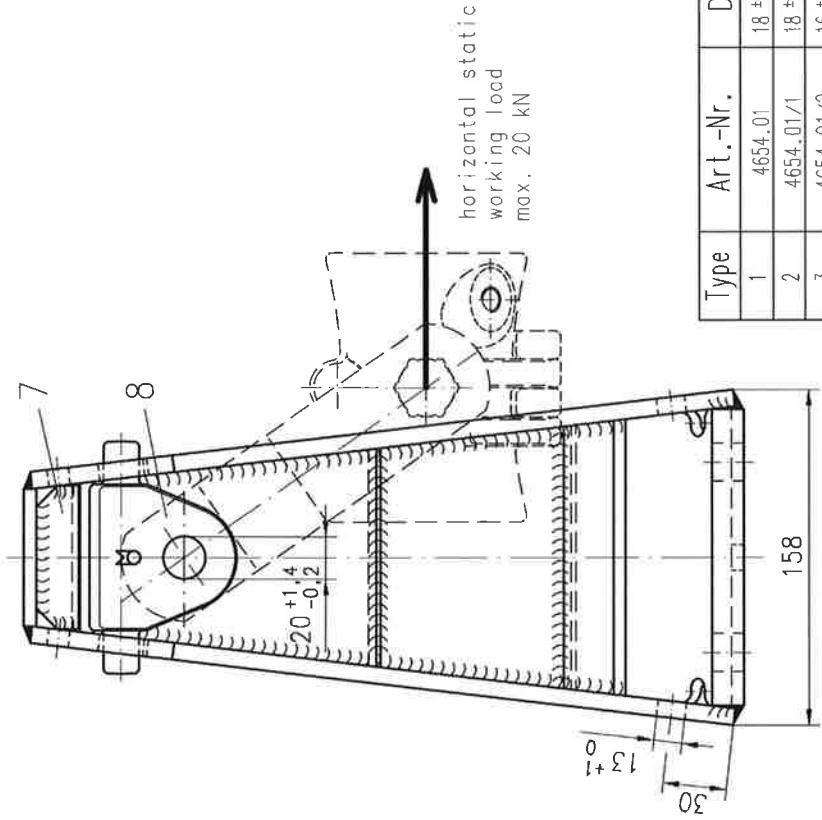
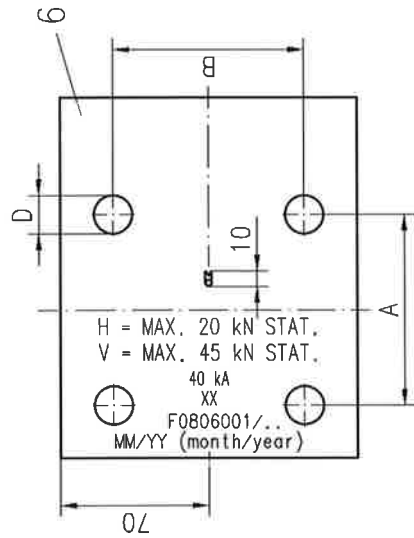
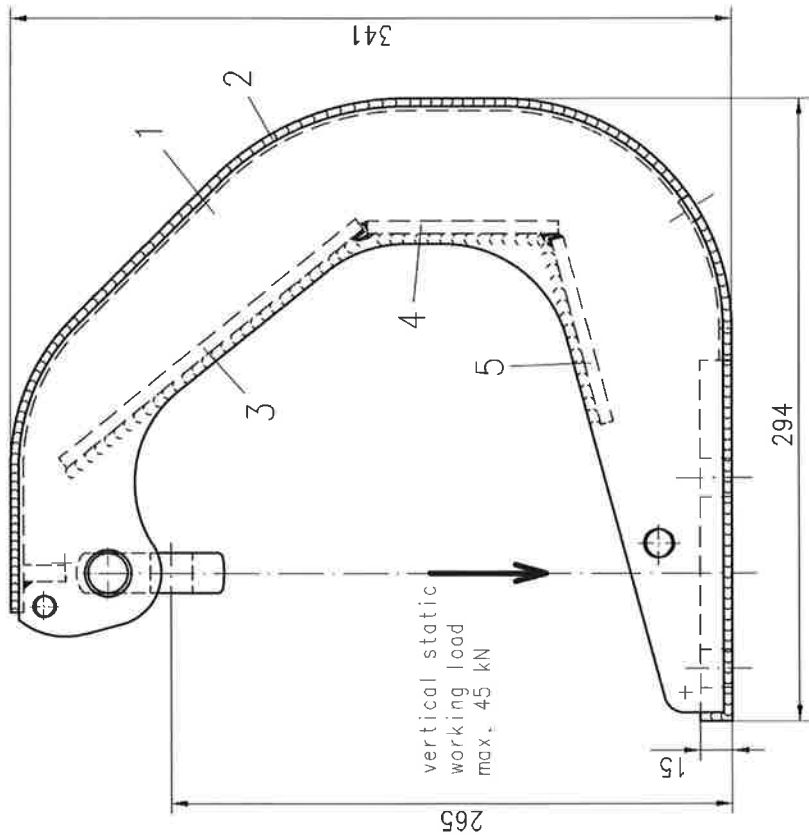


! Aust. 4654.01/4 neu	09.04.97	Gr I mm
k Aust. 4654.01/3 neu	08.11.96	Gr I mm
! 16 ±0,5 (16 +1) Mass A 2x (1x)	10.09.96	Gr I mm
Revision	Date	Name

! Text fuer Belastungen entfernt.	12.07.96	Zechner
n max. 45 kN(30kN), max. 20 kN(15kN)	13.11.2008	Gr I mm
m Zeichnung überarbeitet	21.08.07	WILD M.
Number	Date	Name

This page and its indications is intellectual property of Mosdorfer Company and it isn't allowed to forward those information to a third party without the written assent of Mosdorfer company.



Type	Art.-Nr.	D	A	B
1	4654.01	18 ±0,5	90 ±0,8	90 ±0,8
2	4654.01/1	18 ±0,5	80 ±0,8	80 ±0,8
3	4654.01/2	16 ±0,5	90 ±0,8	90 ±0,8
4	4654.01/3	18 ±0,5	90 ±0,8	70 ±0,8
5	4654.01/4	13,5 ⁺¹ ₀	90 ±0,8	90 ±0,8
6	* 4654.01 I	23,5 ⁺⁰ ₀	90 ±0,8	90 ±0,8

* Type for insulating set

8	1	Oval eye	D0804007	Z0002.151	C 45 E	hot dip galv.	Mass [kg]
7	1	Bar	D0804004	Z5115.000	S235JO	hot dip galv.	Sim. to drg.-no.
6	1	Ground plate	MB 114.035	S355JO	S355JO	hot dip galv.	Replaced by
5	1	Plate	D0804004	Z5135.240	S235JO	hot dip galv.	Art. No.
4	1	Plate	D0804004	Z5 135.235	S235JO	hot dip galv.	s. Tab.
3	1	Plate	D0804004	Z5 135.230	S235JR	hot dip galv.	Rev. Mod.
2	1	Back Part 6mm	D0804003	ZR 150.000	S235JR	hot dip galv.	n
1	2	Side Part 8mm	D0804002	ZS 150.000	S355JO	hot dip galv.	Page
Item Qty		Description	Standard	Drq. no.	Material	Surface	Mass [kg]
1991		Date	Name		Replace for		
Drawn		08.01.	Bissini		Replaced by		
Checked		-11-	Ze		Art. No.		
Scale		Title					
1:2,5		C-Track					
Tolerance acc. to:		DIN 8570 c					
Short circuit current:		40 kA Is					
Breaking load:		---- kN					
Mass:		approx. 12,8 kg					
Drq. No.		K_F0806001					
Rev. Mod.		A3					
No. of pages		n					

