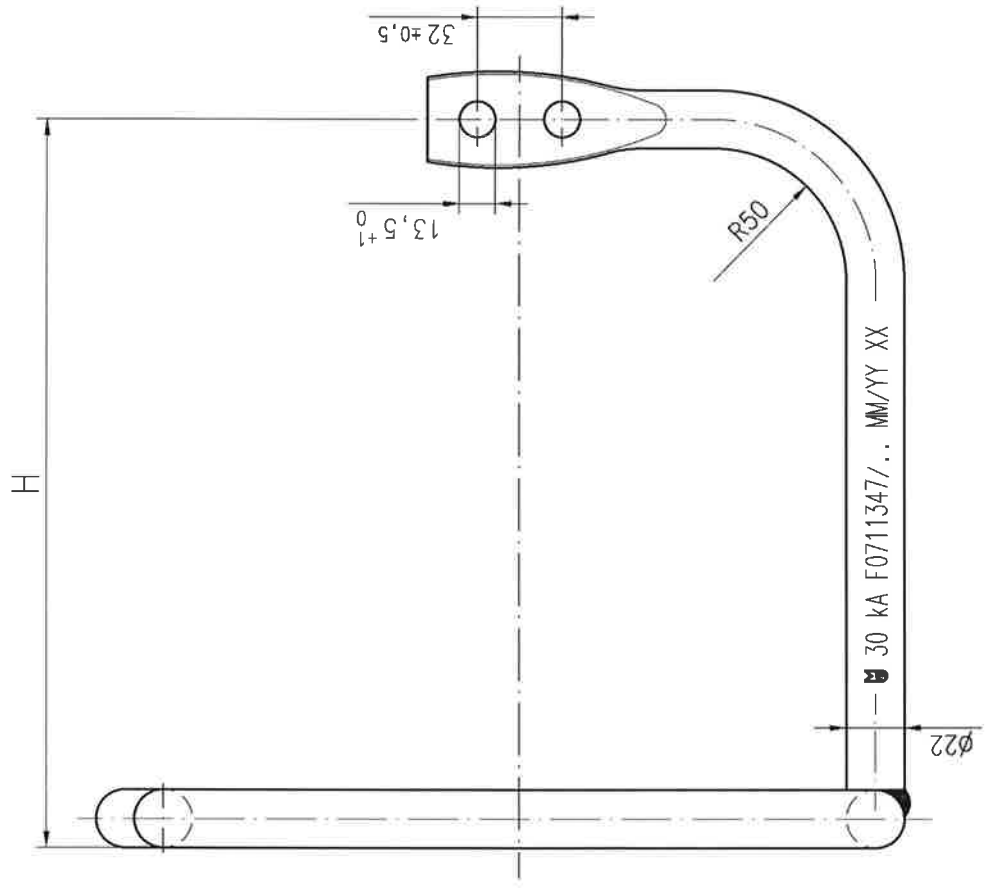


Letter	0	Pos. 2,3 nachgeliefert	28.05.2008	Wild M.
Revision				
Date				
Name				

This page and its indications is intellectual property of Mosdorfer Company and it isn't allowed to forward those information to a third party without the written assent of Mosdorfer company.

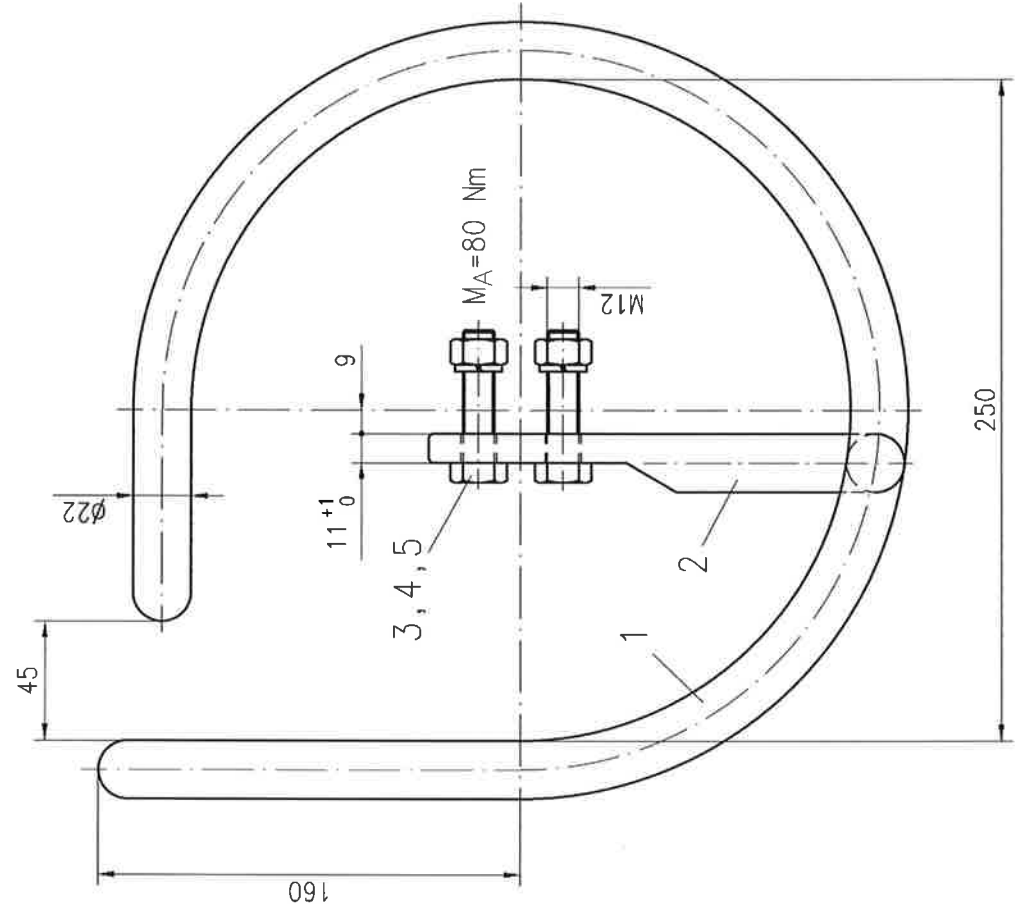
Number				
Modification				
Date				
Name				



Type	Art. No.	H (mm)	weight (kg)
1	4760.39/1	275	4,0
2	4760.39/3	250	3,95
3	4760.39/5	210	3,85

Weld acc. BN 7/1 !  
 Tolerance acc. BN 7/4 !  
 Protective fitting attachment acc. BN 13/1 !

Tolerance acc. to: ISO 2768 v Short circuit current: 30 kA 1s Breaking load: --- kN Mass: --- s. Tab.



5	2	Spring washer B12	DIN 127	1064.04	SI	mech. galv.
4	2	Hexagon nut M12	DIN 934	1052.04/2	8	hot dip galv.
3	2	Hexagon screw M12x50	DIN 933	1069.47/1	8.8	hot dip galv.
2	1	Arm phi 22			S235JR	hot dip galv.
1	1	Horn phi 22x80			S235JR	hot dip galv.

Item Qty	Description	Standard	Drq. no.	Art. no.	Material	Surface	Mass [kg]
2008	Date				Replace for		Sim. to drg.-no.
Drawn	18.04.				Replaced by		F0711346
Checked	-/-				Art. No.	s. Tab.	
					Drq. No.		
					F0711347		
					Rev. Mod.		
					a		A3
					No. of pages		



Upper arcing ring  
 phi 250/phi 22