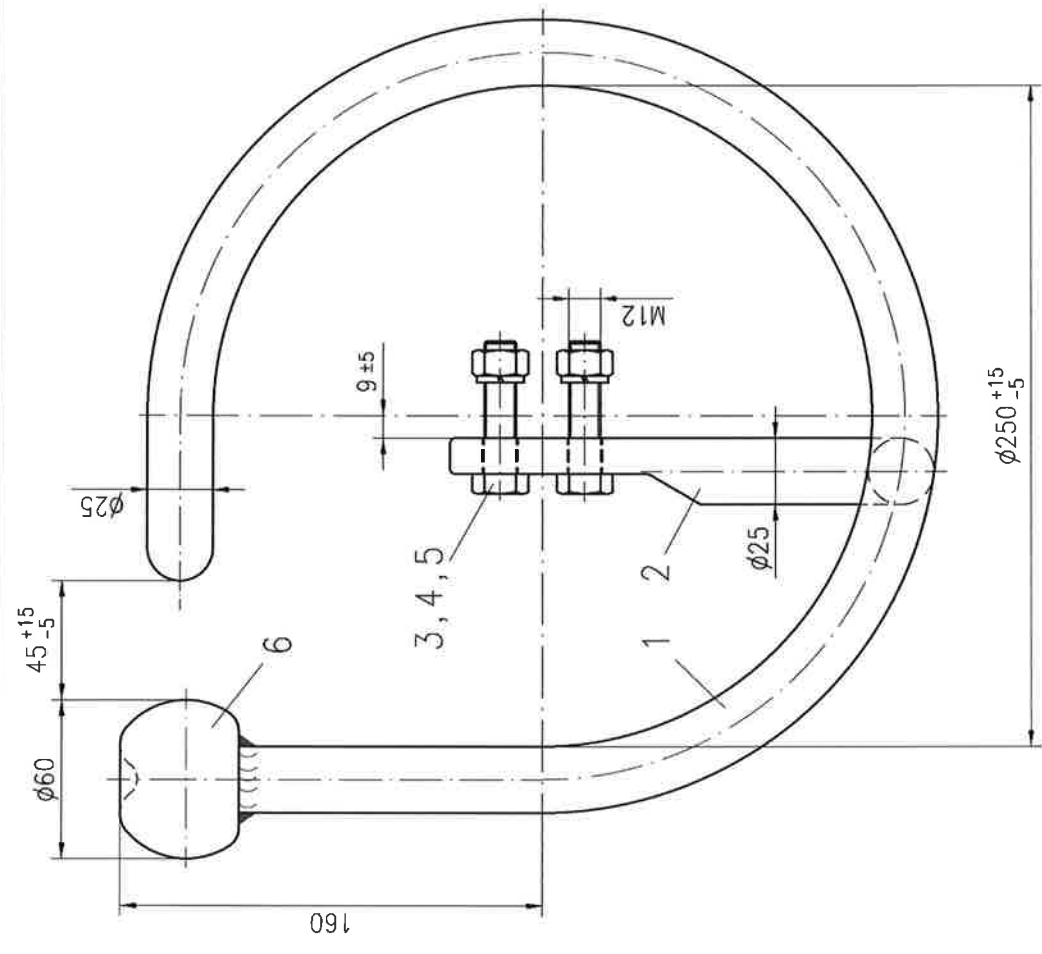
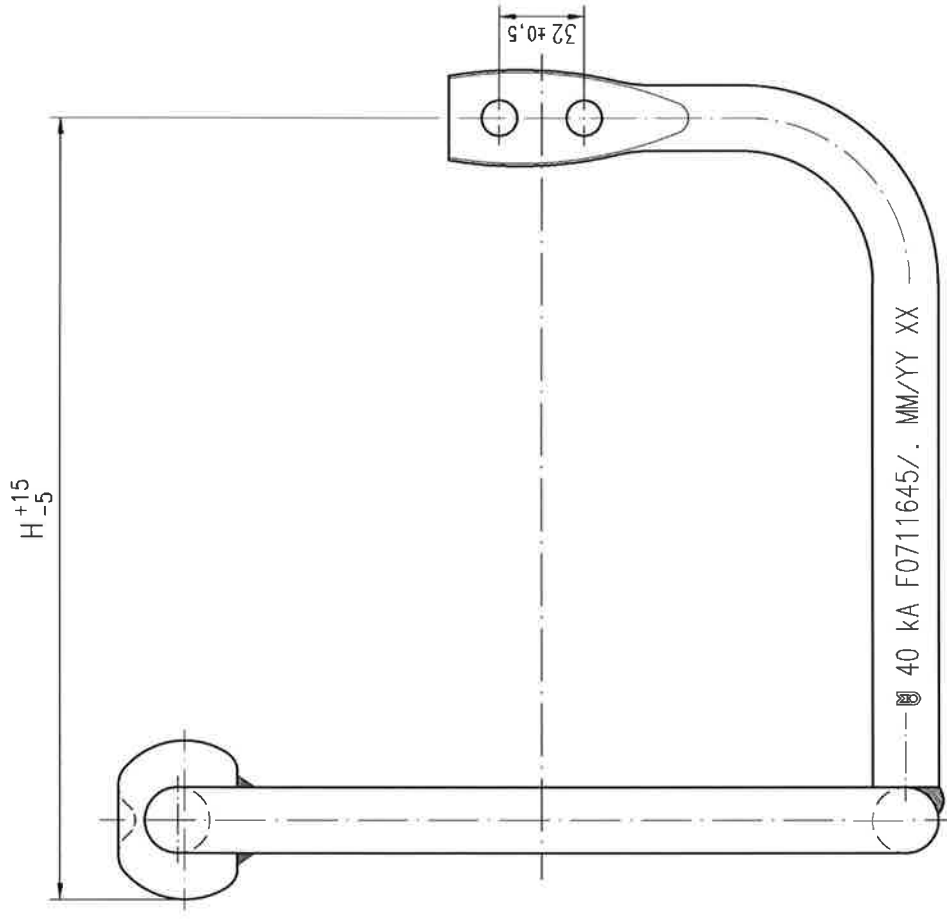


Letter	
Revision	
Date	
Name	

This page and its indications is intellectual property of Mosdorfer Company and isn't allowed to forward those information to a third party without the written assent of Mosdorfer company.

Number	
Modification	
Date	
Name	



Tightening torque 80 Nm (M12)

Type	Art. No.	H (mm)	Weight (kg)
1	4760.42/1/1	275	5,9
2	4760.42/3/1	250	5,8
3	4760.42/5/1	210	5,6

Item	Qty	Description	Standard	Drng. no.	Art. no.	Material	Surface	Mass [kg]
1	1	Bail ø60				Steel	hot dip galv.	
5	2	Spring washer B12	DIN 127			Steel	mech. galv.	
4	2	Hexagon nut M12	DIN 934			8	hot dip galv.	
3	2	Hexagon screw M12x50	DIN 933			8.8	hot dip galv.	
2	1	Arm ø25				Steel	hot dip galv.	
1	1	Ring ø25				Steel	hot dip galv.	
Item Qty Description			Standard	Drng. no.	Art. no.	Material	Surface	Mass [kg]
2014 Date			Name		Replace for		Sim. to drg.-no.	
Drawn 03.07.			Grimm		Replaced by		F0711391	
Checked 03.07.			Gruber		Art. No.		s. Tab.	
Title			Title		Type		Drng. No.	
Scale			Scale		K		F0711645	
1:2			1:2		Rev.		Mod.	
					A3		A3	
Tolerance acc. to: ISO 2768-vL			Short circuit current: 40 kA 1s		Breaking load: --- kN		Mass: --- kg	
					s. Tab.		Page	



Title		Title	
Lower arcing ring		Lower arcing ring	
K		F0711645	
Rev.		Mod.	
A3		A3	
No. of pages		Page	