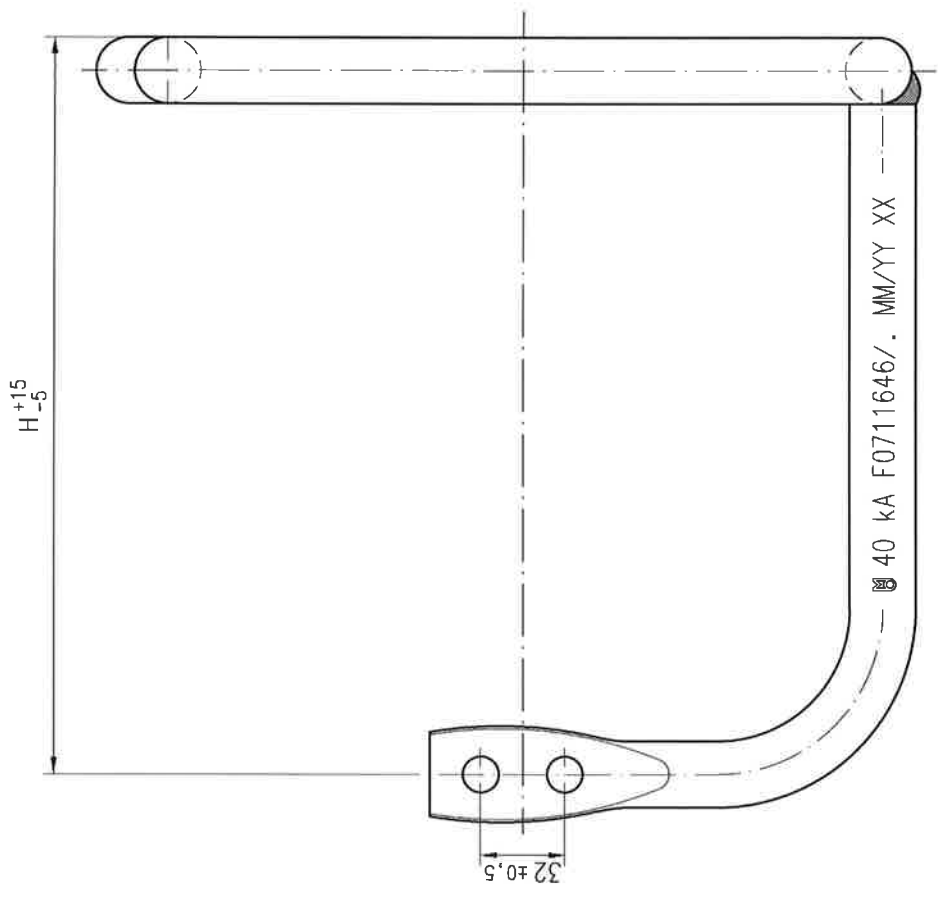


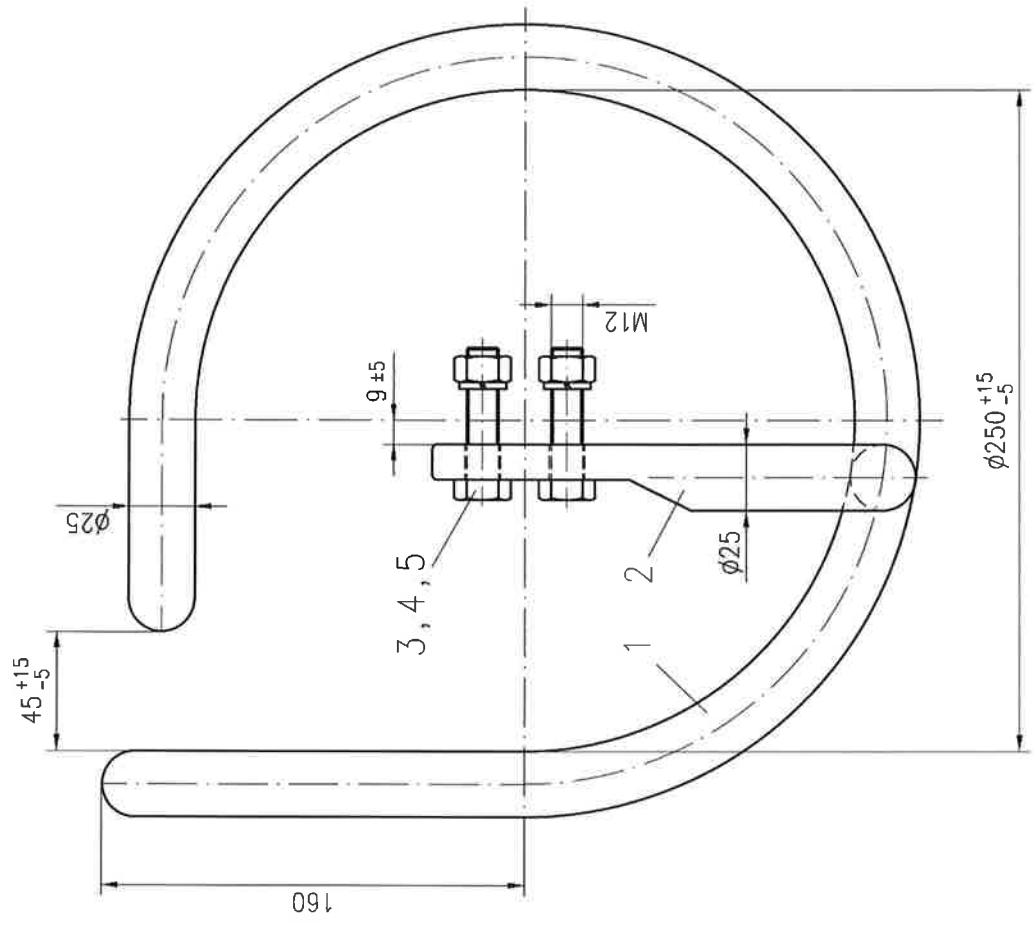
Letter			
Revision	Date	Name	
Number		Modification	

This page and its indications is intellectual property of Mosdorfer Company and it isn't allowed to forward those information to a third party without the written assent of Mosdorfer company.



Type	Art. No.	H (mm)	weight (kg)
1	4760.42/1/2	275	5,1
2	4760.42/2/2	250	5,0
3	4760.42/4/2	210	4,8

Tightening torque 80 Nm (M12)



Item Qty	Description	Standard	Drq. no.	Art. no.	Material	Surface	Mass [kg]
5	2 Spring washer B12	DIN 127			Steel	mech. galv.	
4	2 Hexagon nut M12	DIN 934			8	hot dip galv.	
3	2 Hexagon screw M12x50	DIN 933			8.8	hot dip galv.	
2	1 Arm 25				Steel	hot dip galv.	
1	1 Ring 25				Steel	hot dip galv.	

2014	Date	Name	Replace for	
Drawn	03.07.	Grimm	Replaced by	
Checked	03.07.	Gruber	Art. No.	s. Tab.
Title		Type		Drq. No.
Scale		K		F0711646
1:2		Rev. Mod.		A3
		No. of pages		Page

MOSDORFER		KNILL GRUPPE	
Replace for		Sim. to drg.-no.	
Replaced by		F0711392	

Tolerance acc. to: ISO 2768-VL Short circuit current: 40 kA 1s Breaking load: --- kN Mass: --- kg s. Tab.