

Letter			
Revision			
Date			
Name			

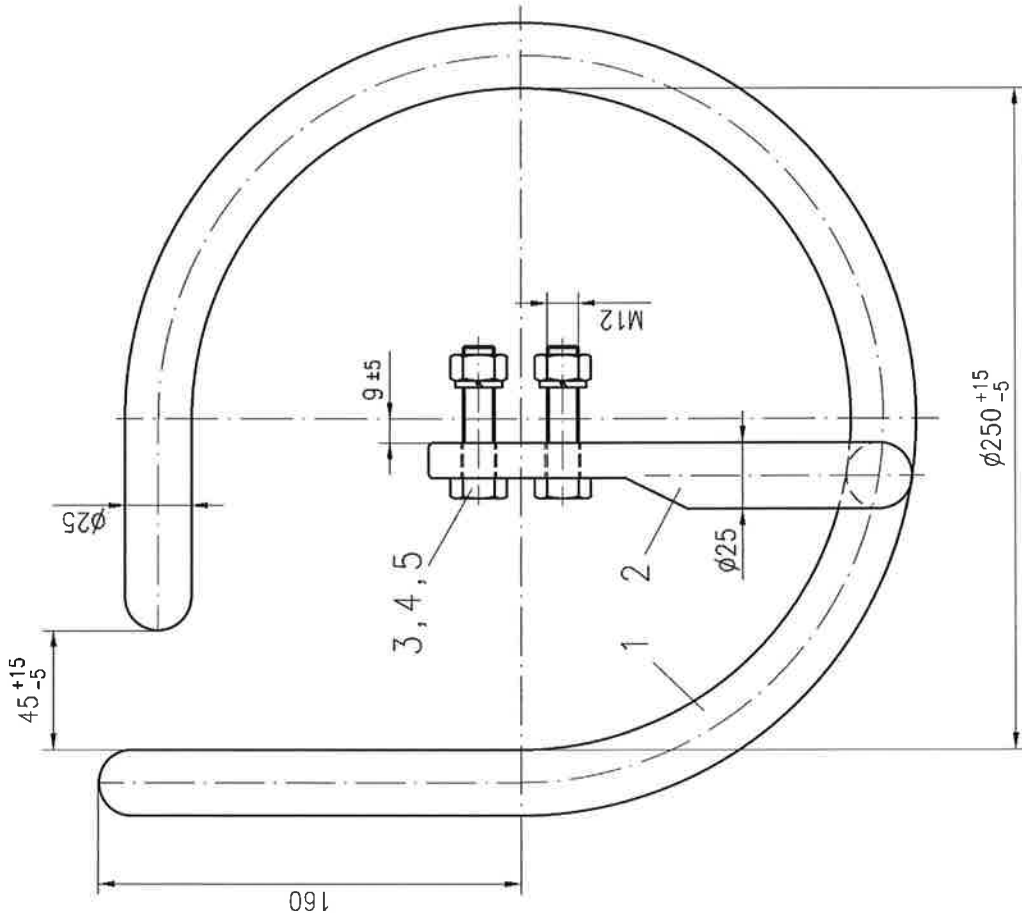
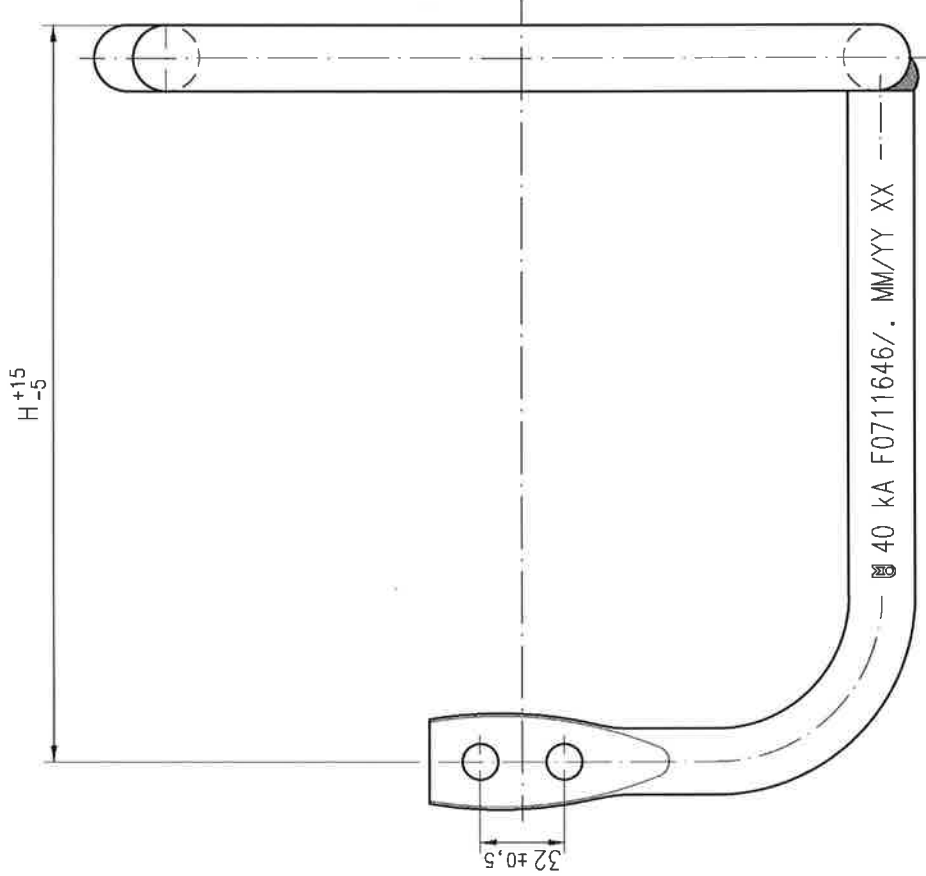
This page and its indications is intellectual property of Mosdorfer Company and it isn't allowed to forward those information to a third party without the written assent of Mosdorfer company.

Number

Modification

Date

Name



Tightening torque 80 Nm (M12)

Type	Art. No.	H (mm)	weight (kg)
1	4760.42/1/2	275	5,1
2	4760.42/2/2	250	5,0
3	4760.42/4/2	210	4,8

Item Qty	Description	Standard	Drq. no.	Art. no.	Material	Surface	Mass [kg]
2	Spring washer B12	DIN 127			Steel	mech. galv.	
2	Hexagon nut M12	DIN 934			8	hot dip galv.	
2	Hexagon screw M12x50	DIN 933			8,8	hot dip galv.	
2	Arm $\phi 25$				Steel	hot dip galv.	
1	Ring $\phi 25$				Steel	hot dip galv.	

2014	Date	Name	Grimm
03.07.	Drawn	Gruber	Checked
03.07.	Checked		

Replace for		Sim. to drg.-no.	F0711392
Replaced by		Art. No.	s. Tab.
Type	Drq. No.	Rev. Mod.	A3
K	F0711646		



Upper arcing ring

Scale 1:2

Tolerance acc. to: ISO 2768-vL Short circuit current: 40 kA 1s Breaking load: --- kN Mass: s. Tab.