

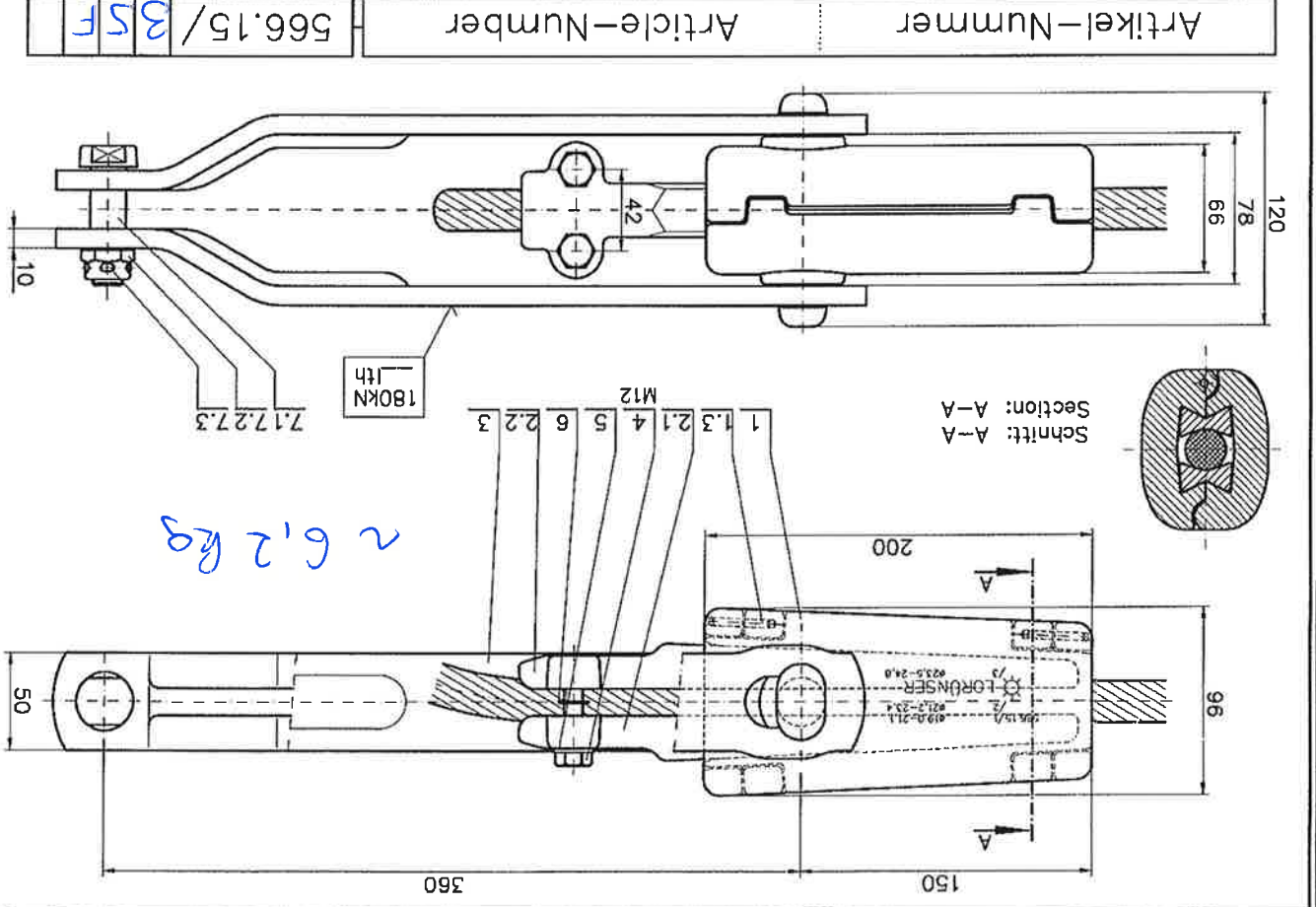
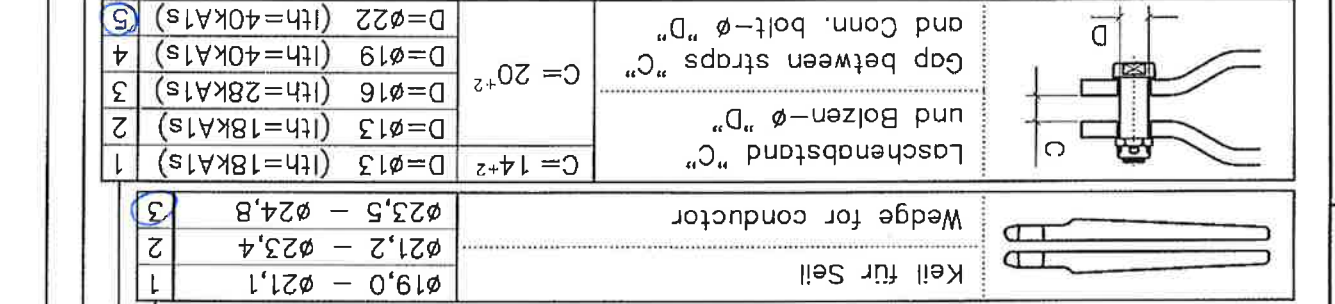
ROI = ORIGINAL

LORUNSER LEICHTMETALL

Zeichnungs Nr. Drawing No. DIN A4-14211	Ersatz für / durch: DIN A
	180kN

Benennung AAC,AAAC,ACSR,AACSR,ACSR/ACS	Description Keilklemme ohne Schlaufenführung Wedge type tension clamp without conductor guide
Gewicht zu Zeichnung	Fertigteil Mutterpause
X Nr.474 Erhart R.	
X Nr.460 02-08-00 A.Vellit	
X Nr.369 07-07-99 F.Schneider	
X Nr.119A 1.2.95	
Bearb. 11-12-91	Datum
Gepr. 14.05.2001	Name Schuster

Artikel-Nummer	566.15/35F																
Artikel-Number	566.15/35F																
Wedge for conductor	Keil für Seil																
Laschenabstand "C" und Bolzen-ø "D"	Gap between straps "C" and Conn. bolt-ø "D"																
<table border="1"> <tr> <td>C = 14+2</td> <td>D=ø13 (lth=18kA1s)</td> <td>1</td> </tr> <tr> <td></td> <td>D=ø13 (lth=18kA1s)</td> <td>2</td> </tr> <tr> <td></td> <td>D=ø16 (lth=28kA1s)</td> <td>3</td> </tr> <tr> <td></td> <td>D=ø19 (lth=40kA1s)</td> <td>4</td> </tr> <tr> <td></td> <td>D=ø22 (lth=40kA1s)</td> <td>5</td> </tr> </table>	C = 14+2	D=ø13 (lth=18kA1s)	1		D=ø13 (lth=18kA1s)	2		D=ø16 (lth=28kA1s)	3		D=ø19 (lth=40kA1s)	4		D=ø22 (lth=40kA1s)	5		
C = 14+2	D=ø13 (lth=18kA1s)	1															
	D=ø13 (lth=18kA1s)	2															
	D=ø16 (lth=28kA1s)	3															
	D=ø19 (lth=40kA1s)	4															
	D=ø22 (lth=40kA1s)	5															
Wedge for conductor	Keil für Seil																
<table border="1"> <tr> <td>ø19,0 - ø21,1</td> <td>1</td> </tr> <tr> <td>ø21,2 - ø23,4</td> <td>2</td> </tr> <tr> <td>ø23,5 - ø24,8</td> <td>3</td> </tr> </table>	ø19,0 - ø21,1	1	ø21,2 - ø23,4	2	ø23,5 - ø24,8	3											
ø19,0 - ø21,1	1																
ø21,2 - ø23,4	2																
ø23,5 - ø24,8	3																
<table border="1"> <tr> <td>Rostfrei A2</td> <td>Stainless steel A</td> </tr> <tr> <td>Verzinkt Cu</td> <td>Tinned C</td> </tr> <tr> <td>Rostfrei A2</td> <td>Stainless steel E</td> </tr> <tr> <td>Verzinkt Cu</td> <td>Tinned G</td> </tr> <tr> <td>Rostfrei A2</td> <td>Stainless steel B</td> </tr> <tr> <td>Verzinkt Cu</td> <td>Tinned D</td> </tr> <tr> <td>Rostfrei A2</td> <td>Stainless steel F</td> </tr> <tr> <td>Verzinkt Cu</td> <td>Tinned H</td> </tr> </table>	Rostfrei A2	Stainless steel A	Verzinkt Cu	Tinned C	Rostfrei A2	Stainless steel E	Verzinkt Cu	Tinned G	Rostfrei A2	Stainless steel B	Verzinkt Cu	Tinned D	Rostfrei A2	Stainless steel F	Verzinkt Cu	Tinned H	
Rostfrei A2	Stainless steel A																
Verzinkt Cu	Tinned C																
Rostfrei A2	Stainless steel E																
Verzinkt Cu	Tinned G																
Rostfrei A2	Stainless steel B																
Verzinkt Cu	Tinned D																
Rostfrei A2	Stainless steel F																
Verzinkt Cu	Tinned H																
<table border="1"> <tr> <td>Mat. A2</td> <td>Locking plate</td> </tr> <tr> <td>Conn. bolt quality</td> <td>Bolzen-Qualität</td> </tr> <tr> <td>Spring washer</td> <td>Federring</td> </tr> <tr> <td>Sicherungsblech</td> <td>Mat. A2</td> </tr> <tr> <td>DIN128-A</td> <td>Locking plate</td> </tr> </table>	Mat. A2	Locking plate	Conn. bolt quality	Bolzen-Qualität	Spring washer	Federring	Sicherungsblech	Mat. A2	DIN128-A	Locking plate							
Mat. A2	Locking plate																
Conn. bolt quality	Bolzen-Qualität																
Spring washer	Federring																
Sicherungsblech	Mat. A2																
DIN128-A	Locking plate																
<table border="1"> <tr> <td>Hexagon bolts quality</td> <td>Schrauben-Qualität</td> </tr> <tr> <td>Feuerverzinkt 8.8</td> <td>Hot dip galv.</td> </tr> <tr> <td>Rostfrei</td> <td>AZF80 Stainless steel A</td> </tr> </table>	Hexagon bolts quality	Schrauben-Qualität	Feuerverzinkt 8.8	Hot dip galv.	Rostfrei	AZF80 Stainless steel A											
Hexagon bolts quality	Schrauben-Qualität																
Feuerverzinkt 8.8	Hot dip galv.																
Rostfrei	AZF80 Stainless steel A																



~ 6,2 kg

566.15/