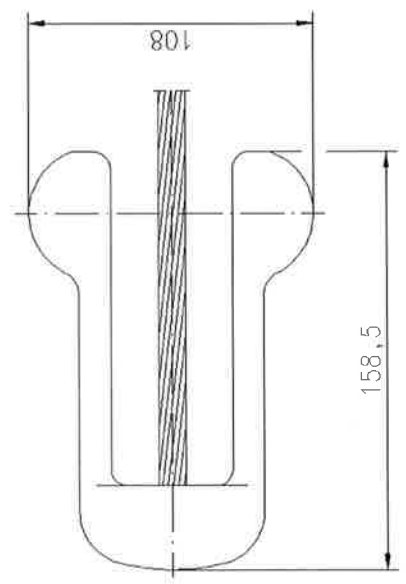
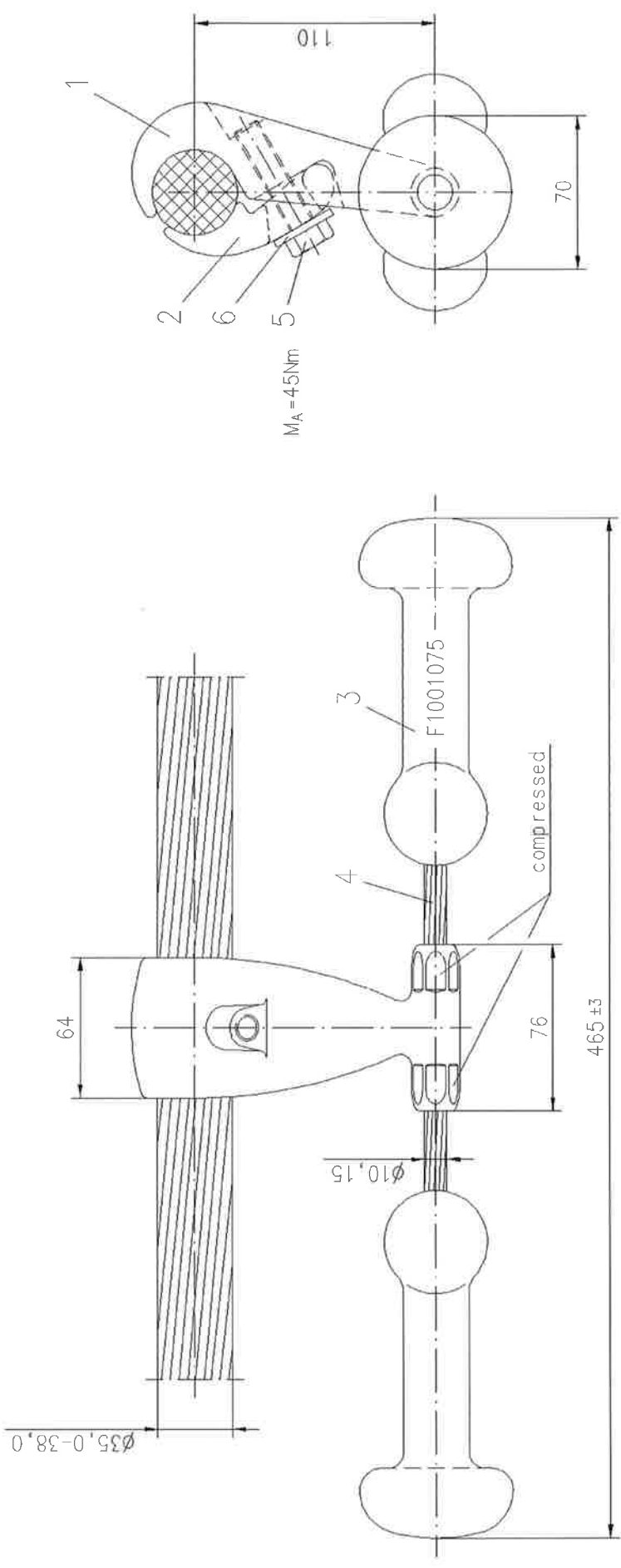


Letter	a
Revision	Anzehdrehmoment 45Nm (35Nm+45Nm)
Date	17.12.01
Name	Zechner

This page and its indications is intellectual property of Mosdorfer Company and it isn't allowed to forward those information to a third party without the written assent of Mosdorfer company.

Number	
Modification	
Date	
Name	



6	1	washer $\phi 30/\phi 13/3$	DIN 933	1054-91	A2	stainless
5	1	hexagon screw M12x55	DIN 933	1010-38/0	A2-F80	-  -
4	1	steel wire $\phi 10,15$		01005003 A3 Z5 100,033	St	hot dip galv.
3	2	damper weight 1,6 kg		01001005 A3 Z0 002,046 G	60-25	-  -
2	1	counter piece $\phi 35,0-38,0$		134-614-681	134-614-681	AlMgSi1 F31
1	1	clamp $\phi 35,0-38,0$ mm		134-623-356	134-623-356	AlMgSi1 F28

1	1	Standard	Drng. no.	Art. no.	Material	Surface	Mass (kg)
1		Description		Replace for		Sim. to drg.-no.	
1		Name		Replaced by		F1001035 A3	
1		Date		Art. No.		9304, 110/EA1	
1		Drawn 31.01.		Drng. No.		F1001075	
1		Checked 31.01.		Rev. Mod.		a	
1		Title		No. of pages		Page	
1		Stockbridge damper		A3			
1		for cond. $\phi 35,0-38,0$ mm					



Scale 1:2  
 appr. 4,1 kg  
 --- kN  
 Breaking load: --- kA  
 Short circuit current: ISO 2768 v  
 Tolerance acc. to: 1:2