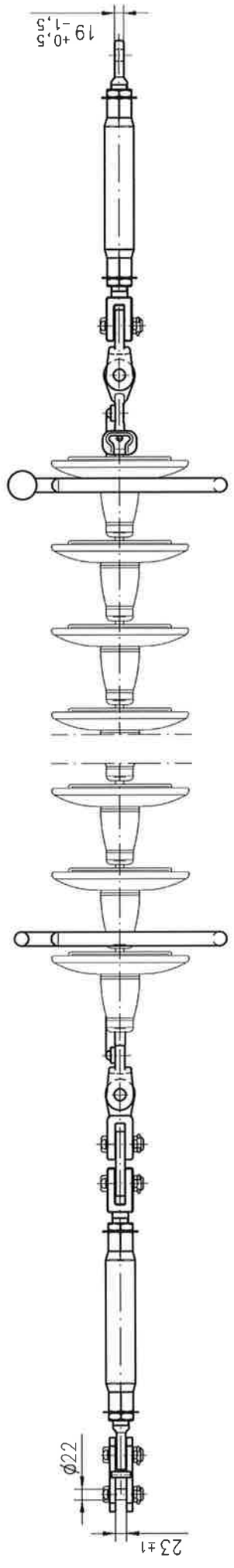
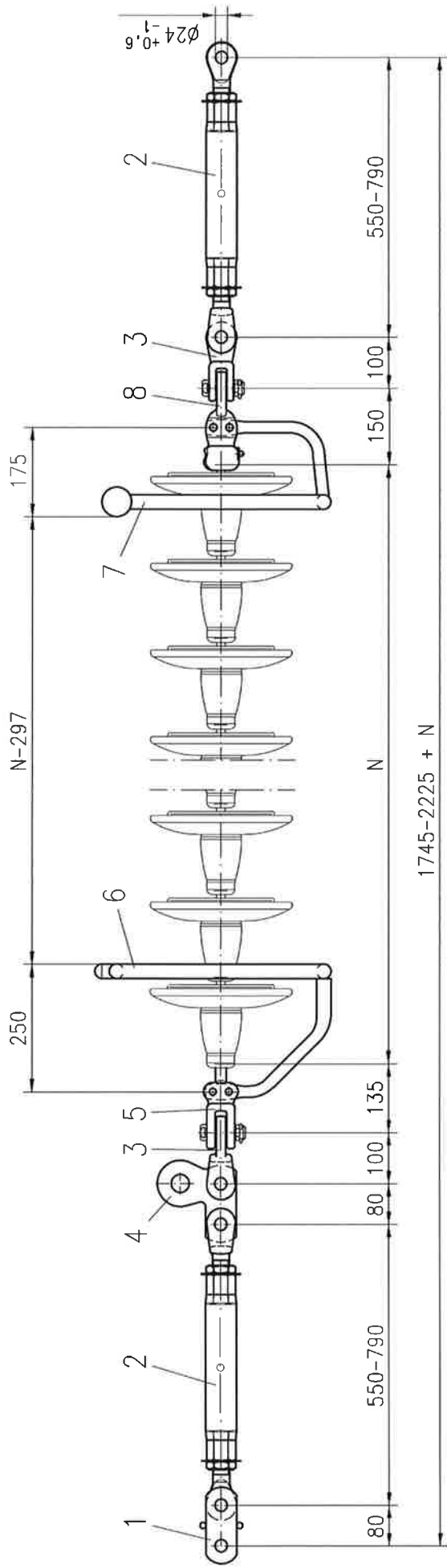


Letter	Revision	Date	Name
b	1 m, 2 4268, 05/4/1 (,52/1)	31.01.2014	Gr 1mm
c	Pos. 3 changed 4265, 76 (4265, 76/20)	09.08.2013	Gr 1mm L

This page and its indications is intellectual property of Mosdorfer Company and it isn't allowed to forward these information to a third party without the written assent of Mosdorfer company.

Number	Modification	Date	Name



1745-2225 + N

Item	Qty	Description	Standard	Drq. no.	Art. no.	Material	Surface	Mass [kg]
8	1	Socket eye twisted	IEC 20	F0308035	4220, 31/2/S			
7	1	Arcing ring with ball		F0708037	4760, 38/4			
6	1	Arcing ring		F0708038	4760, 38/5			
5	1	Ball clevis twisted	IEC 20	F0305022	4217, 33/1			
4	1	Double eye		F0322071	4115, 37/1			
3	2	Clevis eye twisted		F0311067	4265, 76			
2	2	Turnbuckle M33		F0315146	4268, 05/4/1			
1	1	Double strap 80		F0313054	4263, 56			

2010	Date	Name	Replace for
Drawn	11.11.	Schinnerl	AK11ED30
Checked	- -	Ze	Art. No.
Scale		Title	
NTS		245 kV Single Tension Set	
Tolerance acc. to: ----		Drq. No. AK11EF61	
Short circuit current: 50 kA 1s		Rev. Mod. b	
Breaking load: 230 kN		No. of pages	
Mass: 46,83 kg		Page	
		A3	

