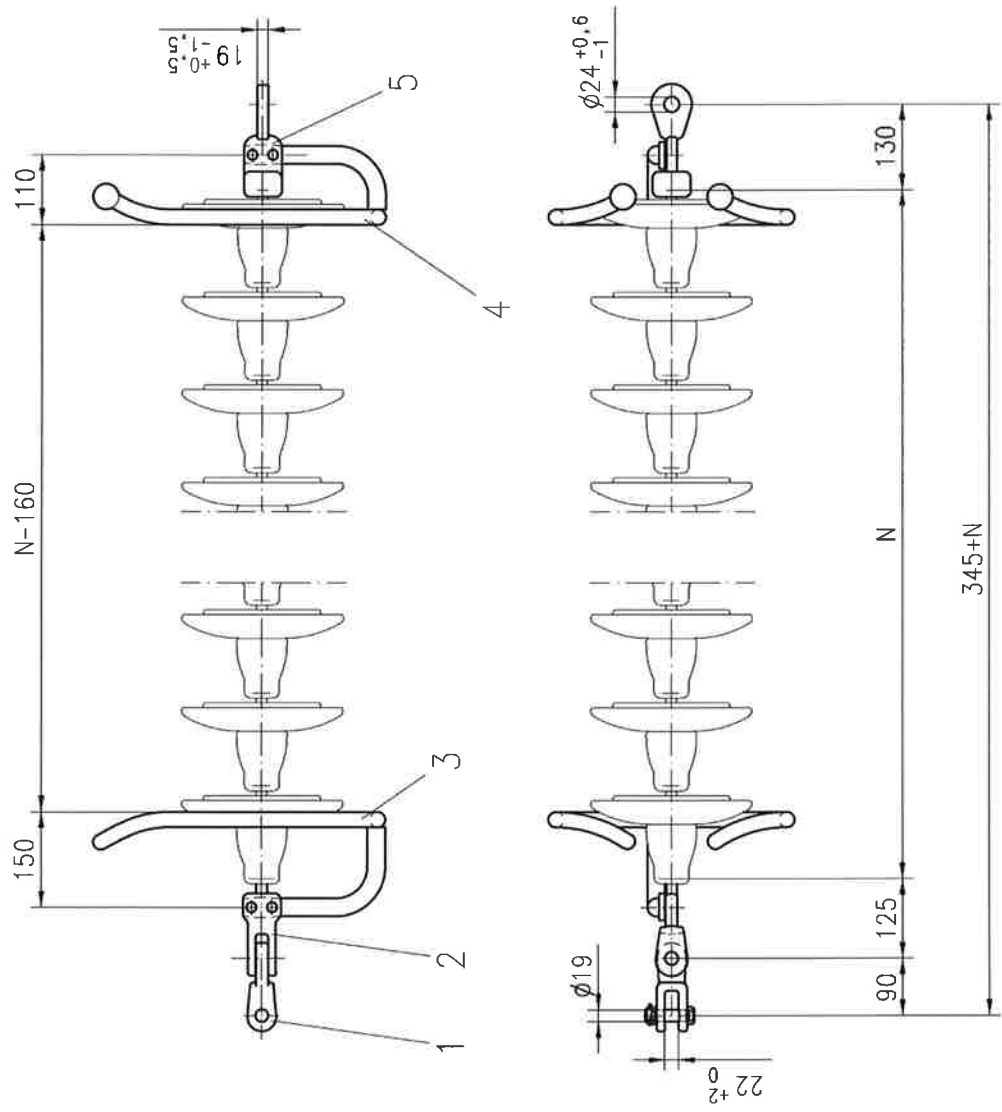


| | | | |
|----------|--|--|--|
| Letter | | | |
| Revision | | | |
| Date | | | |
| Name | | | |

This page and its indications is intellectual property of Mosdorfer Company and it isn't allowed to forward those information to a third party without the written assent of Mosdorfer company.



| | | | | | | | | | | |
|----------|--------|-----------------------|-------------|----------|------------|----------|---------|-----------|--|--|
| 5 | 1 | Socket eye twisted | IEC 16 | F0306029 | 4270.301/4 | | | | | |
| 4 | 1 | Fork type arcing ring | | F0705271 | 4750.0042 | | | | | |
| 3 | 1 | Fork type arcing ring | | F0705272 | 4750.0043 | | | | | |
| 2 | 1 | Ball clevis twisted | IEC 16 | F0305028 | 4217.0024 | | | | | |
| 1 | 1 | Clevis eye twisted | Standard | F0311033 | 4265.73/2 | | | | | |
| Item Qty | | Description | Standard | Drq. no. | Art. no. | Material | Surface | Mass [kg] | | |
| 2010 | Date | Name | Replace for | | | | | | | |
| Drawn | 11.11. | Schinnerl | Replaced by | | | | | | | |
| Checked | -11- | re | Art. No. | | | | | | | |
| Scale | | | Title | | | | | | | |
| | | | AK11EF62 | | | | | | | |
| | | | Rev. Mod. | | | | | | | |
| | | | A3 | | | | | | | |



145 kV Single Tension Set

Tolerance acc. to: ----- Short circuit current: 30 kA 1s Breaking load: 130 kN Mass: $\approx 16,55$ --- kg