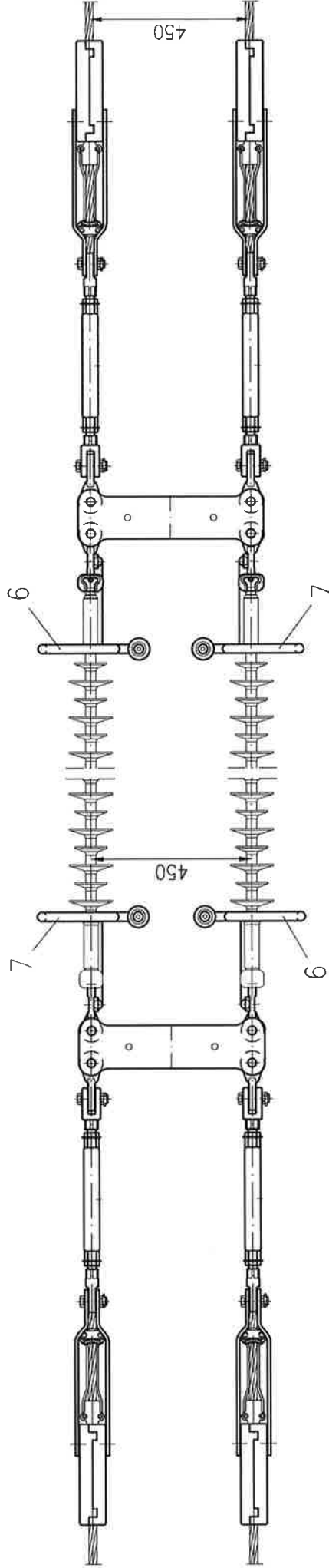
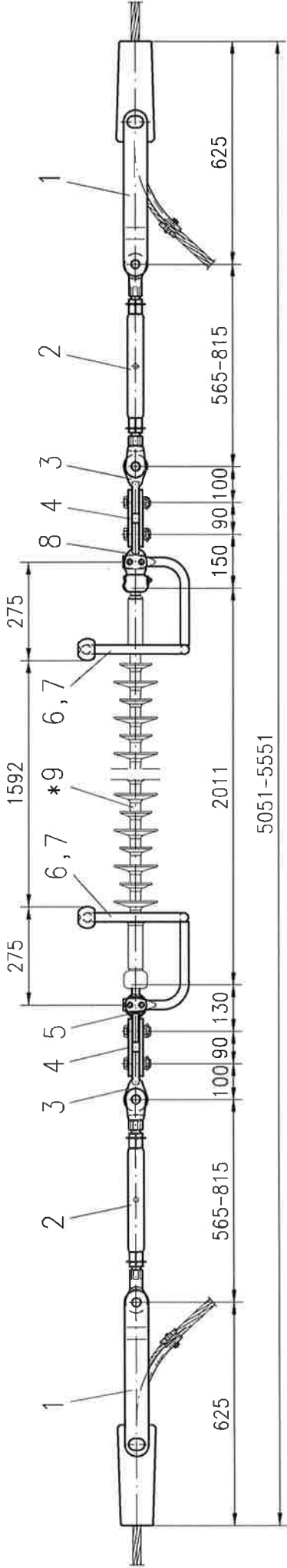


| | | | |
|--------|--------------|------|------|
| Number | Modification | Date | Name |
| | | | |

This page and its indications is intellectual property of Mosdorfer Company and it isn't allowed to forward those information to a third party without the written assent of Mosdorfer company.

| | | | |
|--------|---|------------|-------|
| Letter | Revision | Date | Name |
| 0 | 1 in 9 2011(1926), 1594(1509), 5051-5551(4968-5466) | 12.09.2014 | Gr Im |



* (Insulator will be ordered seperately)

| #9 | Insulator | IEC 20 | Art. no. | Material | Surface | Mass [kg] |
|----------|--------------------------|----------|------------|--------------|-------------|------------------|
| 8 | Socket eye twisted | IEC 20 | F0308035 | 4220.31/2/S | Replace for | Sim. to drg.-no. |
| 7 | Arcing ring w.ball | | F0711645/1 | 4760.42/1/1 | Replaced by | AS11E0479 |
| 6 | Arcing ring w.ball | | F0711391/1 | 4760.42 | Art. No. | TS11E0103 |
| 5 | Ball eye twisted | IEC 20 | F0303033 | 4213.111/1/S | Drg. No. | Rev. Mod. |
| 4 | Yoke 450/450/90 | | F0318007 | 4270.40 | TS22H0101 | a |
| 3 | Double eye twisted | | F0310053 | 4261.12 | | |
| 2 | Turnbuckle M24 | | F0315062 | 4268.11/1 | | |
| 1 | Wedge type tension clamp | | A4-14214 | 566.16/45NA | | |
| Item Qty | Description | Standard | Drg. no. | Material | Surface | Mass [kg] |



170 kV Transposition Set
for 2x ACSR □ 593 (ø31,7 mm)

Scale: NTS

Tolerance acc. to: ----- Short circuit current: 40 kA 1s Breaking load: 120 kN Mass: $M_{8,28}$ ---- kg