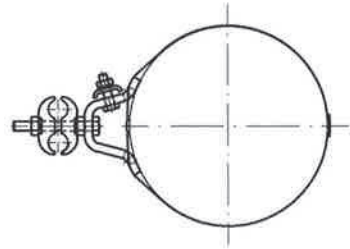
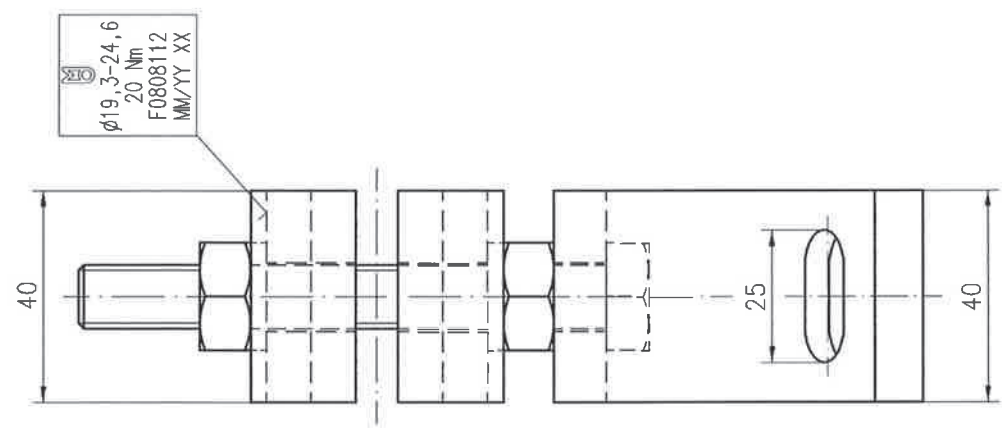
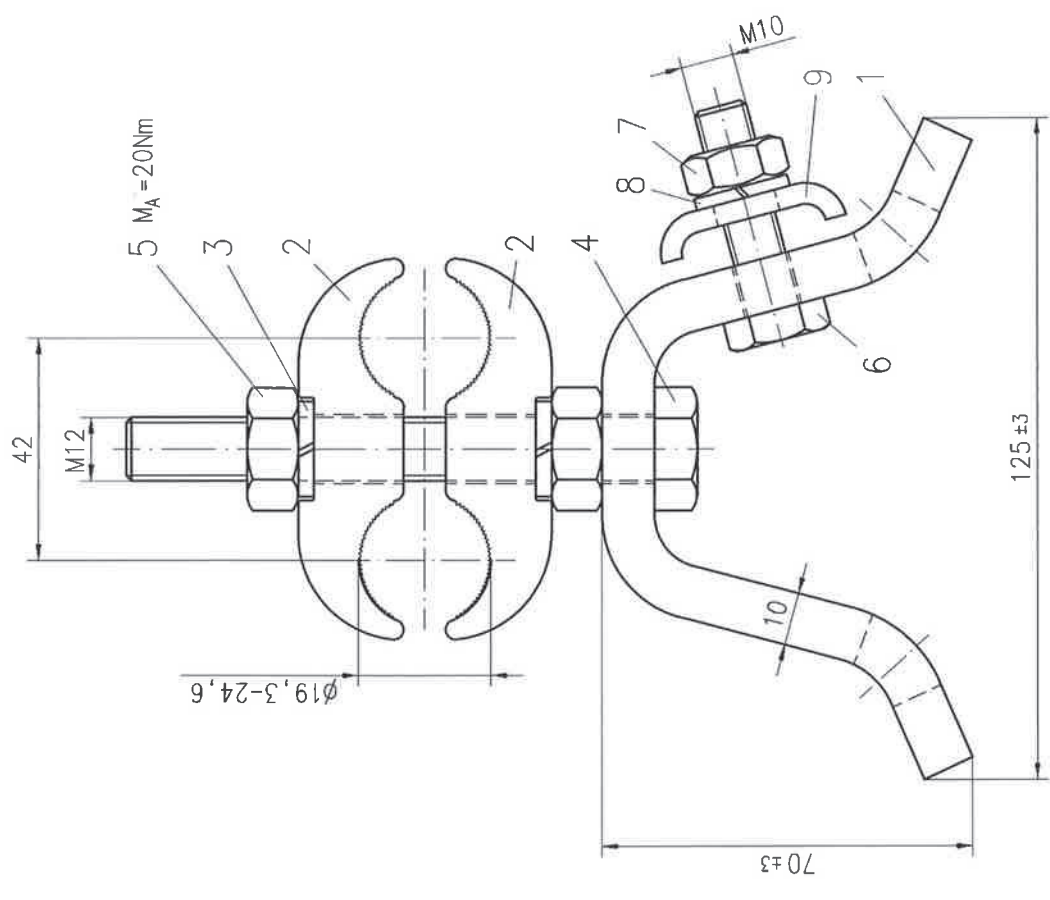
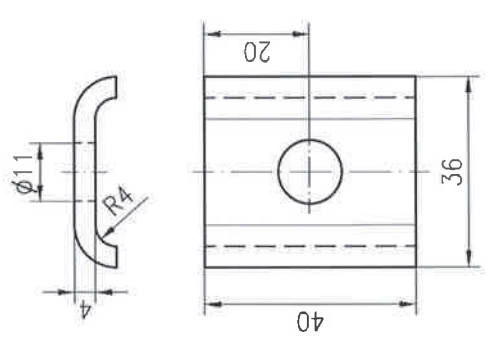


Letter				
Revision	Date	Name		

This page and its indications is intellectual property of Mosdorfer Company and it isn't allowed to forward those information to a third party without the written assent of Mosdorfer company.

Number	Modification	Date	Name

DETAIL: Pos.9



9	1	Clamp body 40x40x4			EN-AW 6082 HT11				
8	1	Spring washer 10	DIN 7980		1064.03/1	Steel	mech. galv.		
7	1	Hexagon nut M10	DIN 934		1052.03/6	8	hot dip galv.		
6	1	Hexagon screw M10x40	DIN 933		1009.25/1	8.8	hot dip galv.		
5	2	Hexagon nut M12	DIN 934		1052.04/2	8	hot dip galv.		
4	1	Hexagon screw M12x100	DIN 933		1009.51/1	8.8	hot dip galv.		
3	2	Spring washer 12	DIN 7980		1064.14	Steel	mech. galv.		
2	2	Clamping case half			MP 215.079	EN-AW 6082 T6			
1	1	Strap 40x10			ZB 4680.0035	EN-AW 6082 T6			
Item Qty		Description	Standard	Drq. no.	Art. no.	Material	Surface	Mass [kg]	
								Sim. to drg.-no.	
2011 Date		Name							
Drawn 13.09.		Auer							
Checked 16.09.		Grimm							
		Title							
Scale		1:1		Replace for		Surface		Mass [kg]	
				Replaced by				Sim. to drg.-no.	
				Art. No.		4680.0036		F0808083	
				Drg. No.		F0808112		Rev.	Mod.
									A3
								No. of pages	Page



Fastening clamp
for cond. $\phi 19,3-24,6$ mm

Tolerance acc. to: ISO 2768-vL Short circuit current: --- kA 1s Breaking load: --- kN Mass: approx. 0,6 kg