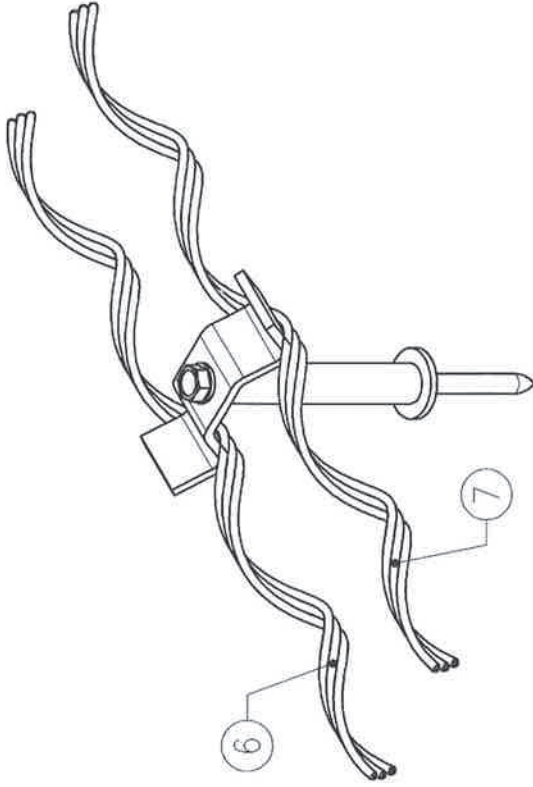
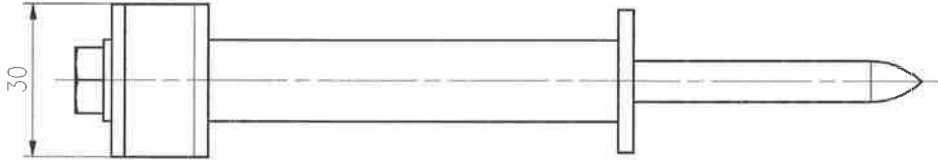
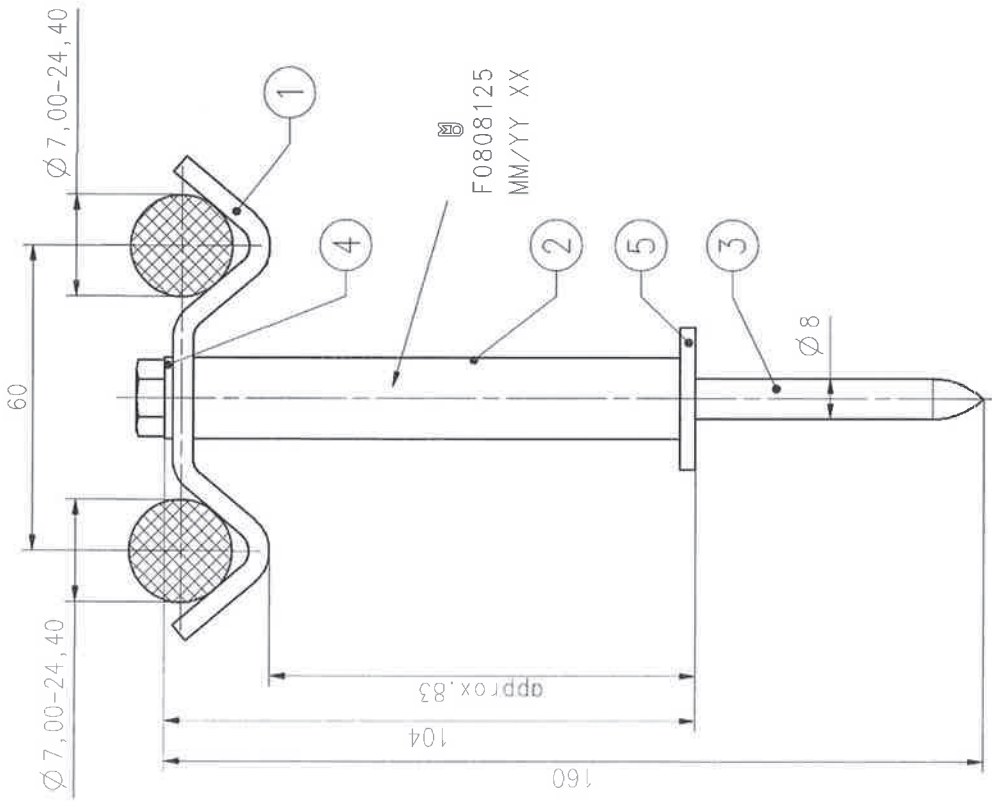


Letter	Revision	Date	Drawn	Chkd.
This page and its indications is intellectual property of Mosdorfer Company and it isn't allowed to forward these information to a third party without the written assent of Mosdorfer company.				
Letter	Revision	Date	Drawn	Chkd.



*) Not included

Letter	Revision	Date	Drawn	Chkd.	Tolerance acc. to:	Short circuit current:	Breaking load:	Mass:	approx. 0,3 kg
* * *									
7 1 Retaining rods F1003086 Al-alloy 6 1 Retaining rods F1003086 Al-alloy 5 1 Washer Rg DIN 440 A2 stainless 4 1 Washer A8.4 DIN 125 A2 stainless 3 1 Hex. head wood screw 8x160 DIN 571 Steel hot dip galv. 2 1 Sleeve Al-alloy hot dip galv. 1 1 Strap Steel hot dip galv. 1 1 Material Surface									
Title: Down lead clamp for wooden towers Scale: NTS Date: 11.02.2014 Drawn: Schimmerl Checked: 11.02.2014 Grimm Art. No.: 4680.0067 Replaced by: 4680.0067 Replace for:									
Type Drg. No. K F0808125 Rev. A3 No. of pages 1 Page 1									

