

c	Supplier code added	10.02.2010	Wild M.
b	Auf. 4680.27/1/3 F neu	06.02.1997	Grimm
a	20 Nm (30 Nm)	20.06.1996	Grimm

This page and its indications is intellectual property of Mosdorfer Company and it isn't allowed to forward those information to a third party without the written assent of Mosdorfer company.

Number	Modification	Date	Name

1995	Date	Name
22.03.	Drawn	Grimm
-11-	Checked	Ze

MOSDORFER AUSTRIA

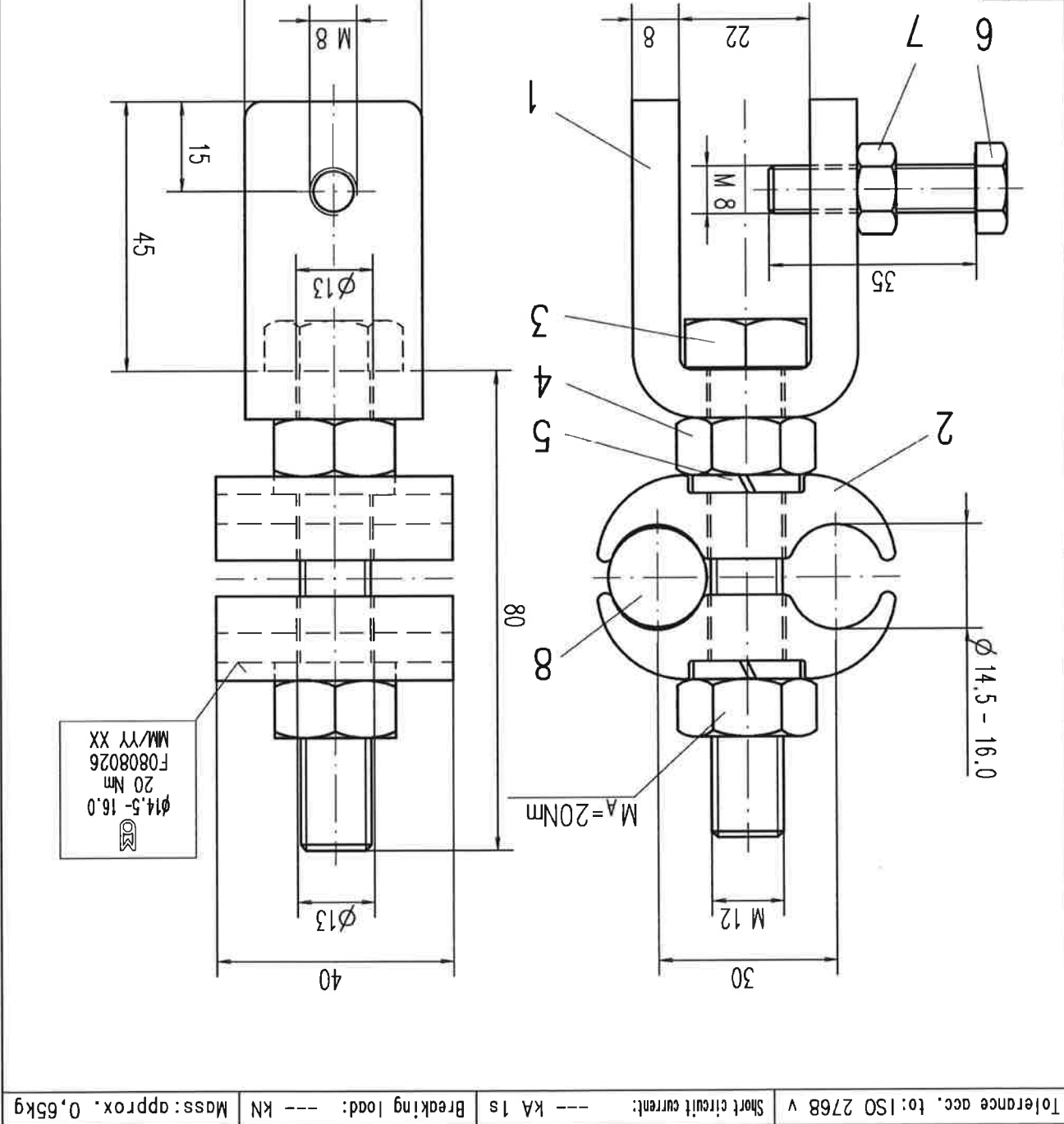
Replace for
 Replaced by F0808010
 Art. No. s. Tab.

Drng. No. F0808026

Scale 1:1

Title Fastening clamp for cond. $\phi 14,5-16,0$ mm

Pos	Stk	Benennung	Norm	Zng. Nr.	Art. Nr.	Material	Oberfläche	Masse[kg]
1	1	Filler piece $\phi 16x40$	DIN 934	1052.02/2	A1 99.5	A2	stainless	
2	1	Hexagon nut M 8	DIN 933	1009.05/0	A2-F80	A2	stainless	
3	1	Hexagon screw M 8 x 35	DIN 934	1064.04/5	A2	A2	stainless	
4	2	Spring washer 12	DIN 7980	1052.04/20	A2-F80	A2-F80	stainless	
5	2	Hexagon nut M12	DIN 934	1009.49/81	A2-F80	A2-F80	stainless	
6	1	Hexagon screw M 12 x 80	DIN 933	EN-AW 6082 T6	EN-AW 6082 T6	EN-AW 6082 T6	stainless	
7	2	Clamping case	Prof1121.169	S235JR	S235JR	S235JR	hot dip galv.	
8	1	Strap 30 x 8 x 122	D0805003/2	ZB 002.046	ZB 002.046	ZB 002.046		



Short circuit current: --- kA 1s	Breaking load: --- kN	Mass: approx. 0,65kg
----------------------------------	-----------------------	----------------------