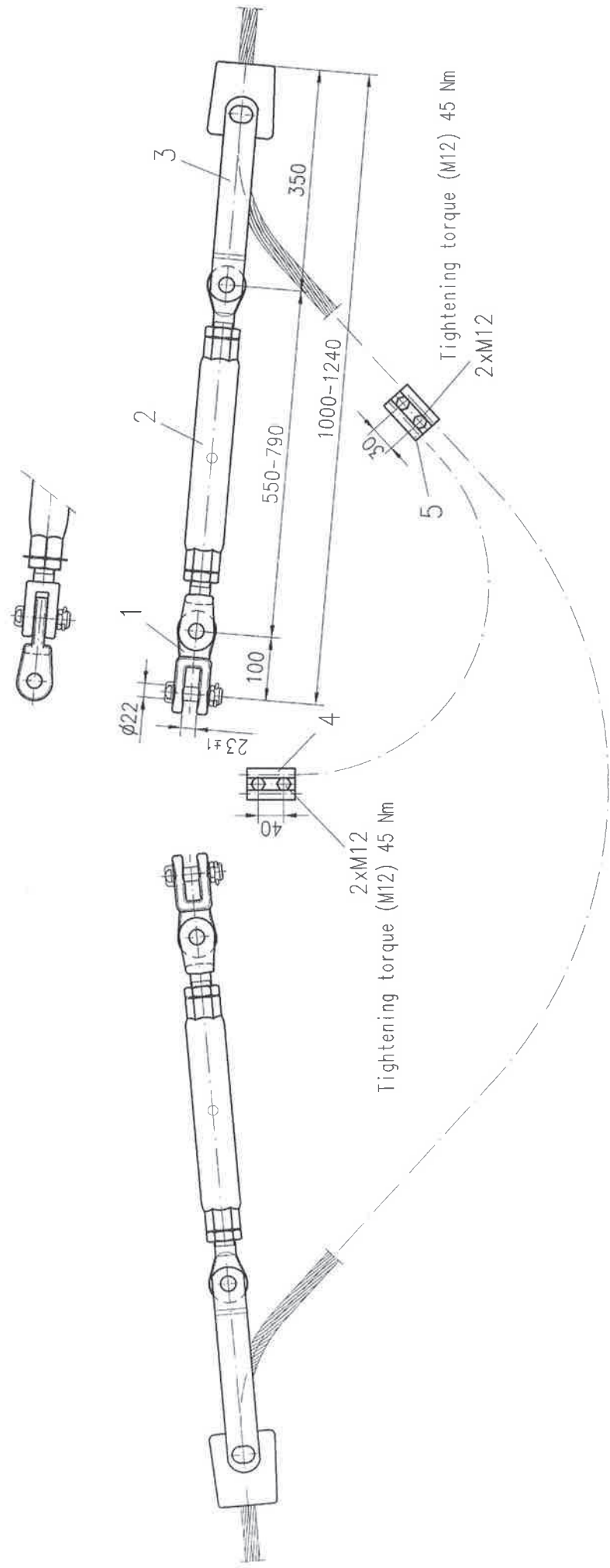


Letter	Q	Dgr. rev.	12.05.2014	Gr. ltrm
Revision				
Number				
Modification				
Date				
Name				

This page and its incisions are intellectual property of Mosdorfer Company and it is not allowed to forward these information to a third party without the written consent of Mosdorfer company.



5	1	Parallel groove clamp	F0602018	4502.0002	
4	1	Earthing clamp	F0801015	4680.44/1	
3	2	Wedge type tension clamp	A4-14207	566.03/35F	
2	2	Turnbuckle M33	F0315146	4268.05/4/1	
1	2	Clevis eye twisted	F0311067	4265.76	
l tm Qty		Description	Standard	Drq. no.	Art. no.
2013		Date	Replaced for		
Drawn		17.12.	Replaced by		
Checked		- -	Art. No.		
			Material		
			Surface		
			Mass [kg]		
			Sim. to drg.-no.		
			A001E0378		
			Rev. Mod.		
			a		
			A3		

MOSDORFER
AUSTRIA

Title
Earthwire Tension Set
for FeAl □ 142 (φ15,4 mm)

Scale
NTS

No. of pages
a

Page

*) Excluded Wedge type tension clamp (ltm 3) 100 kN

Tolerance acc. to: -----

Short circuit current: 20 kA 1s | Breaking load: 210 kN * | Mass: ----- kg