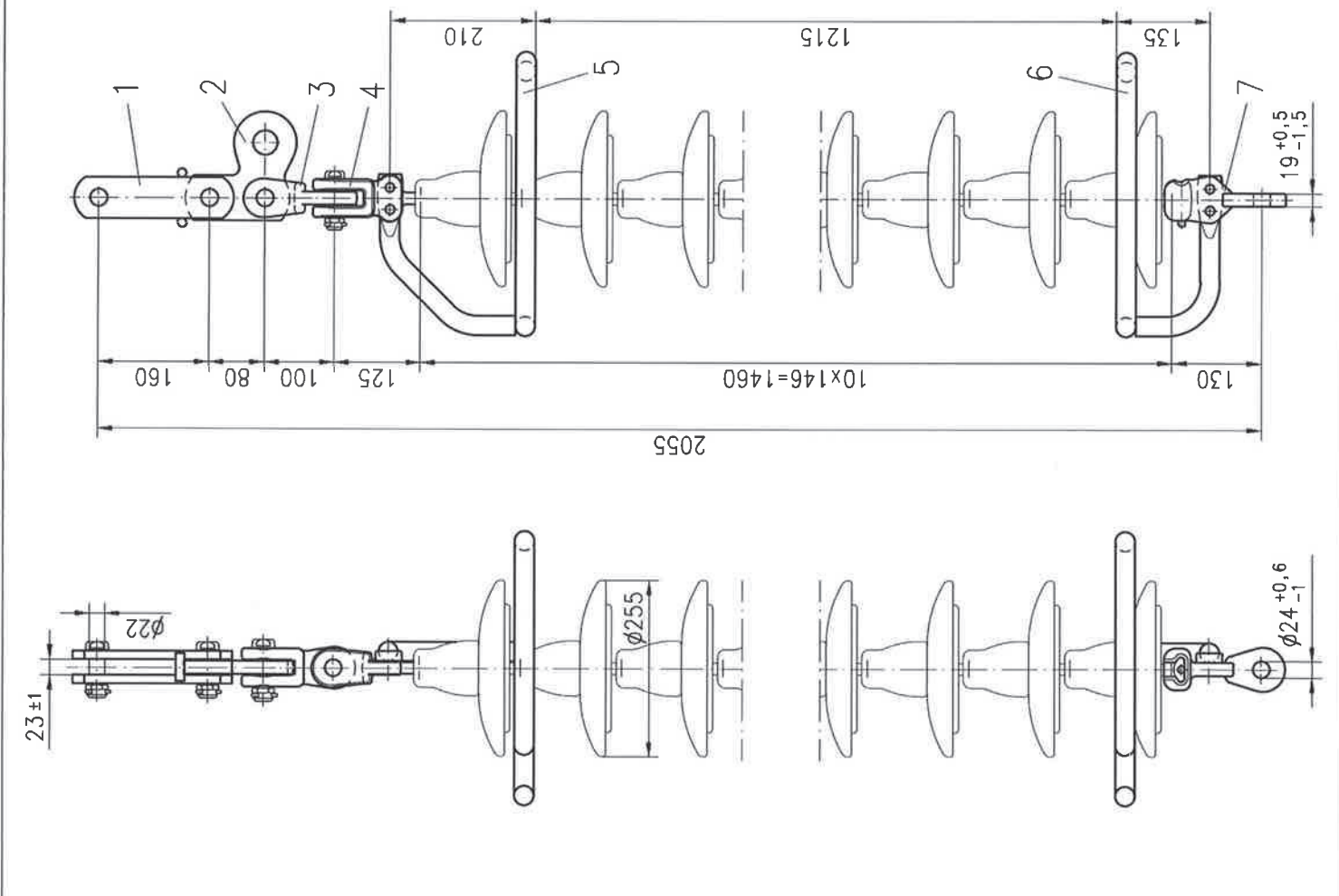


Letter			
Revision	Date	Name	
Modification	Date	Name	

This page and its indications is intellectual property of Mosdorfer Company and it isn't allowed to forward those information to a third party without the written assent of Mosdorfer company.



7	1	Socket eye twisted	IEC 16	F0308029	4220.301/4		
6	1	Lower arcing ring		F0708035	4760.38/2		
5	1	Upper arcing ring		F0708036	4760.38/3		
4	1	Ball clevis twisted	IEC 16	F0305021	4217.32/1		
3	1	Clevis eye twisted		F0311067	4265.76		
2	1	Double eye		F0322071	4115.37/1		
1	1	Double strap 160		F0313057	4263.56/1		
Item Qty		Description	Standard	Drq. no.	Art. no.	Material	Surface
2015		Date	Name	Replace for		Sim. to drq.-no.	
Drawn		27.01.	Grimm	Replaced by		HK11EE11	
Checked		27.01.	Höfler	Art. No.		Rev. Mod.	
		Title		Drq. No.		Page	
Scale		NTS		No. of pages		A3	



145 kV Single Susp. Set

HK11E0962

Rev. Mod. A3

Tolerance acc. to: Short circuit current: 40 kA 1s Breaking load: 130 kN Mass: --- kg