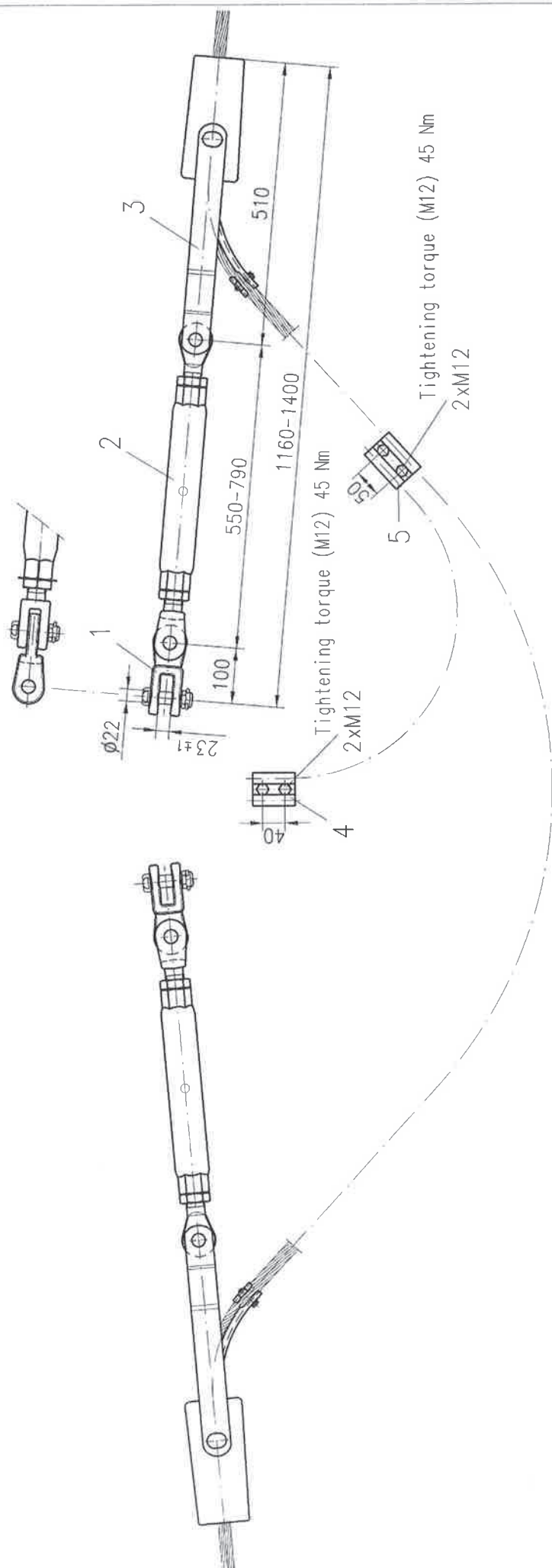


Letter				
Revision				
Date				
Name				

This page and its contents are the intellectual property of Mosdorfer Company and all rights are reserved to Mosdorfer Company and its licensors. No part of these materials may be reproduced, stored in a retrieval system, or transmitted in any form or by any means, without the prior written consent of Mosdorfer Company.



5	1	Parallel groove clamp	F0602015	4502.14/2	
4	1	Earthing clamp	F0801055	4680.0045	
3	2	Wedge type tension clamp	A4-14212	566.15/15NA	
2	2	Turnbuckle M33	F0315146	4268.05/4/1	
1	2	Clevis eye twisted	F0311067	4265.76	
Qty Description			Standard	Drq. no.	Art. no.
2014 Date			Replace for		
Drawn 12.06.			A001E0510		
Checked 12.06.			Replaced by		
Schinnerl			Art. No.		
Title			Drq. No.		
Earthwire Tension Set			A001E0551		
Scale			Rev. Mod.		
NTS			A3		
for $\phi 20, 1 \text{ mm}$			No. of pages		
			Page		



\*) Excluded Wedge type tension clamp (1 tm 3)

Tolerance acc. to: ----- Short circuit current: 20 kA 1s | Breaking load: 210 kN \* | Mass: ----- kg