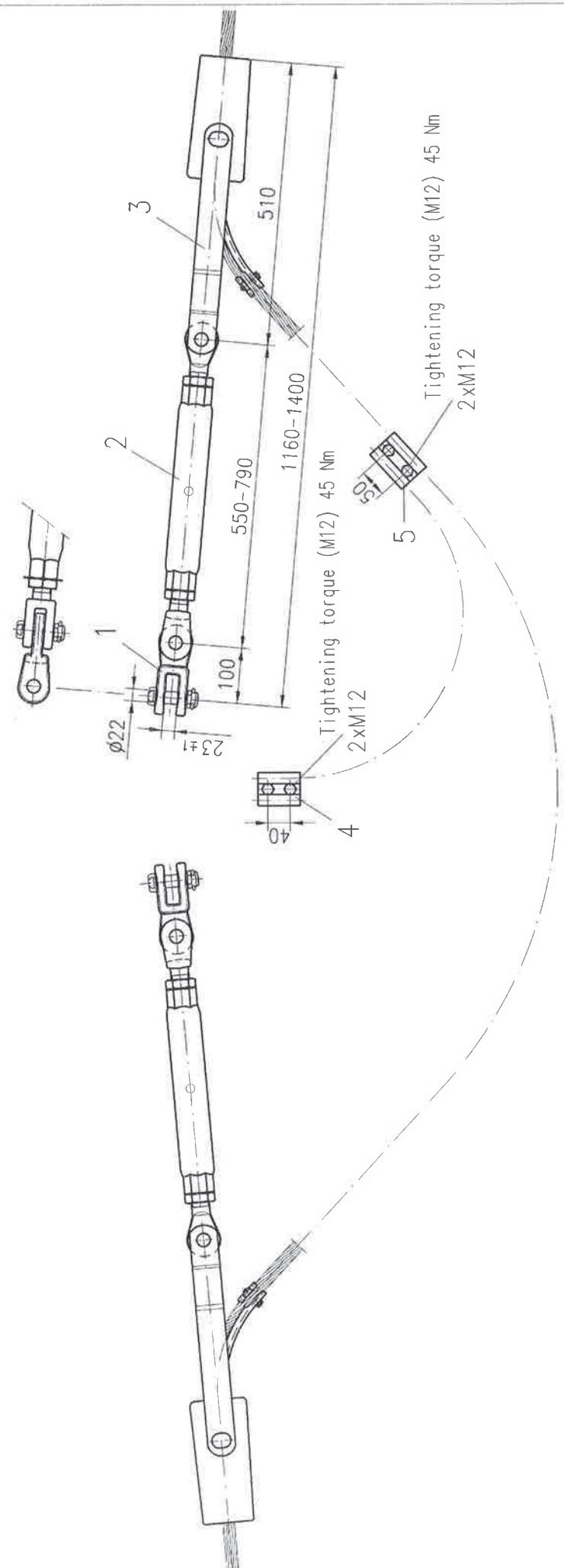


Letter	Revision	Date	Name

Number	Modification	Date	Name

This page and its incipit are the intellectual property of Mosdorfer Company and it is allowed to forward those information to a third party without the written assent of Mosdorfer company.



5	1	Parallel groove clamp	F0602015	4502.14/2		
4	1	Earthing clamp	F0801055	4680.0045		
3	2	Wedge type tension clamp	A4-14212	566.15/35NA		
2	2	Turnbuckle M33	F0315146	4268.05/4/1		
1	2	Clevis eye twisted	F0311067	4265.76		
Item Qty Description			Standard	Drq. no.	Art. no.	Material
2014 Date			Replace for			
Drawn 12.06.			Sim. to drg.-no.			
Checked 12.06.			Replaced by			
Schinnerl			Art. No.			
Title			Drq. No.			
Earthwire Tension Set			A001E0552			
Scale			Rev. Mod.			
NTS			A3			
for $\varnothing 23,6$ mm)			No. of pages			
			Page			

*) Excluded Wedge type tension clamp (1 tm 3)

Tolerance acc. to: ----- Mass: ----- kg
Short circuit current: 20 kA 1s Breaking load: 210 kN *)