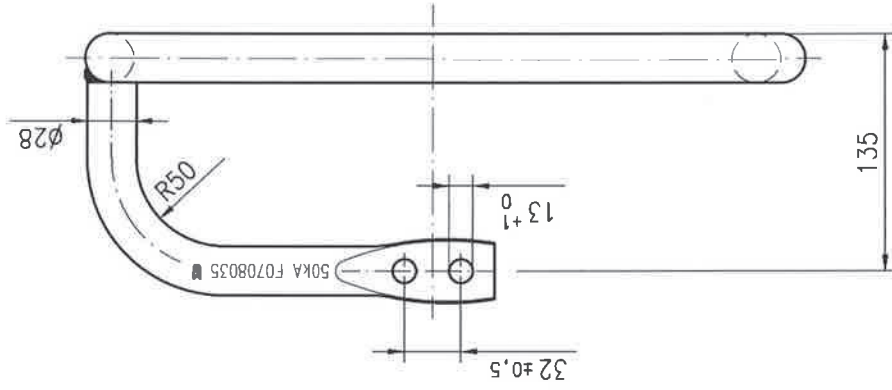
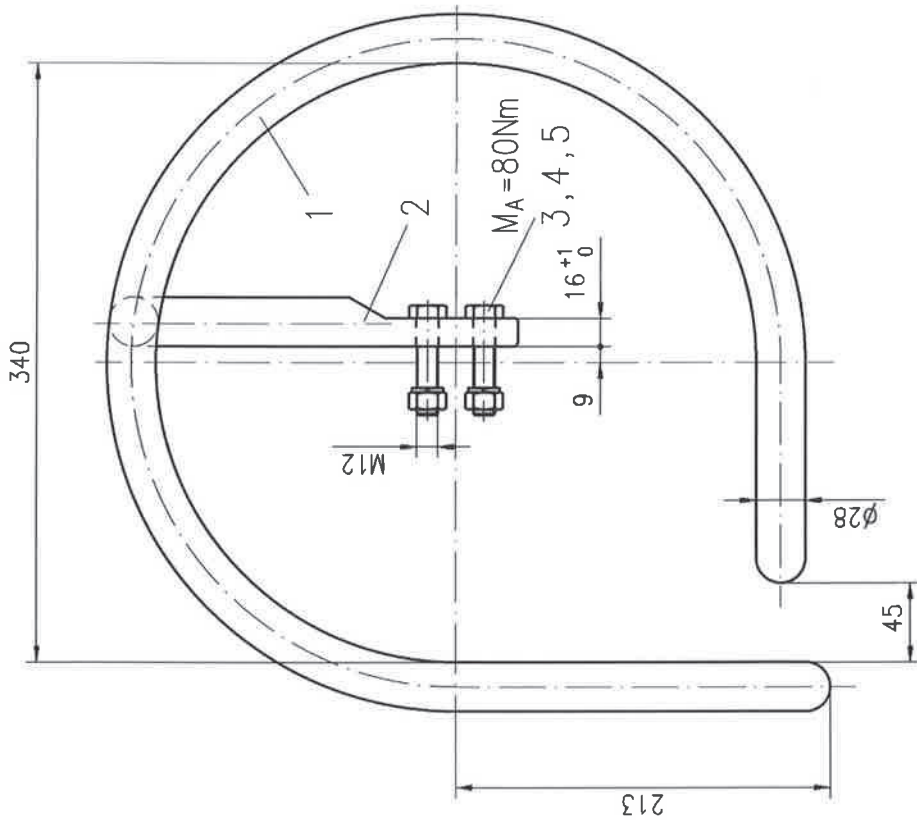


Letter	Revision	Date	Name
D	Ring rev.	16.06.2004	Glenn

This page and its indications is intellectual property of Mosdorfer Company and it isn't allowed to forward those information to a third party without the written assent of Mosdorfer company.

Number	Modification	Date	Name



Weld acc. BN 7/1 !
Tolerance acc. BN 7/4 !
Protective fitting attachment acc. BN 13/1 !

Tolerance acc. to: ISO 2768 v Short circuit current: 50 kA 1s Breaking load: ---- kN Mass: approx. 7,4 kg

5	2	spring washer B12	DIN 127	1064.04	St	mech. galv.			
4	2	hexagon nut M12	DIN 934	1052.04/1	8	hot dip galv.			
3	2	hexagon screw M12x55	DIN 933	1009.48/2	8.8	hot dip galv.			
2	1	arm 28x297			S235JRG2	hot dip galv.			
1	1	ring 28x1210			S235JRG2	hot dip galv.			
Item Qty		Description	Standard	Drng. no.	Art. no.	Material	Surface	Mass [kg]	
2003		Date	Name		Replace for		Sim. to drg.-no.		
Drawn		09.03.	Zechner		Replaced by				
Checked		09.03.	Ze		Art. No.		4760.38/2		
Title		Lower arcing ring		Drng. No.		F0708035		Rev. Mod. a A3	
Scale		1:3		No. of pages		Page			

