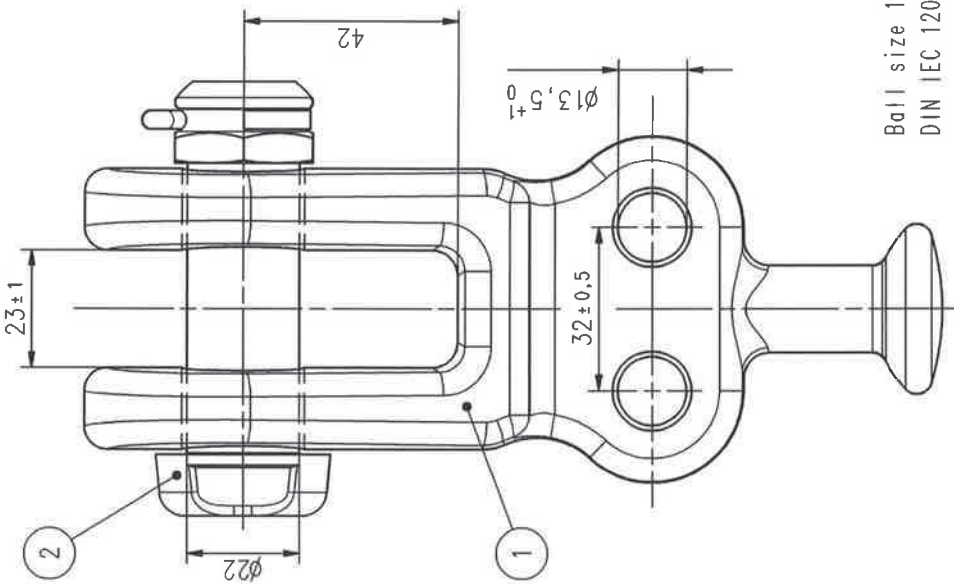
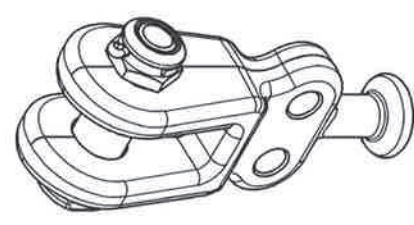
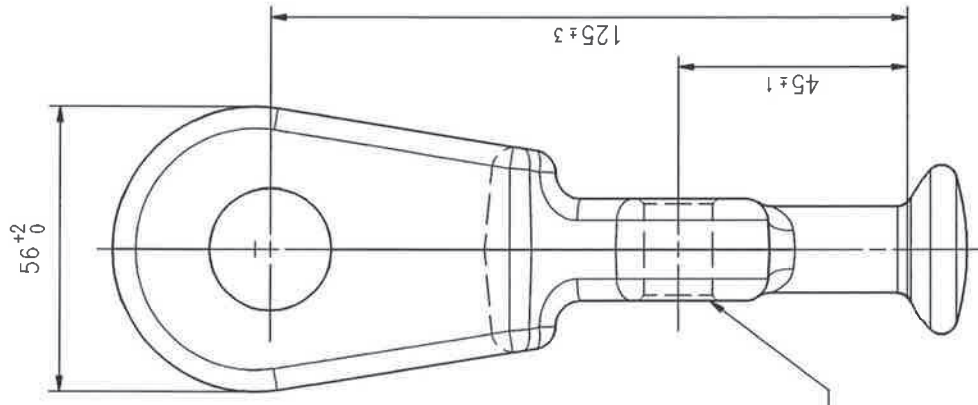


Letter	Revision	Date	Drawn	Chkd.
Letter	Revision	Date	Drawn	Chkd.

This page and its indications is intellectual property of Mosdorfer Company and it isn't allowed to forward those information to a third party without the written assent of Mosdorfer company.



130kN  50kA
F0305021 MM/YY XX



2	1	Bolt S22x57	DIN 48073	8.8	hot dip galv.			
1	1	Ball clevis IEC 16	IEC 120	Steel	hot dip galv.			
Item	Qty	Description	Standard	Drwg. no.	Art. no.	Material	Surface	Mass (kg)
						Replace for		
						Replaced by		
						Art. No.		4217_32/1
						Type		Drg. No.
						K		F0305021
						Rev.		a
						No. of pages		1
						Page		1



Ball clevis twisted
IEC 16, S22

Tolerance acc. to: EN 10243-1 F Short circuit current: 50 kA 1s Breaking load: 130 kN Mass: approx. 1,6 kg