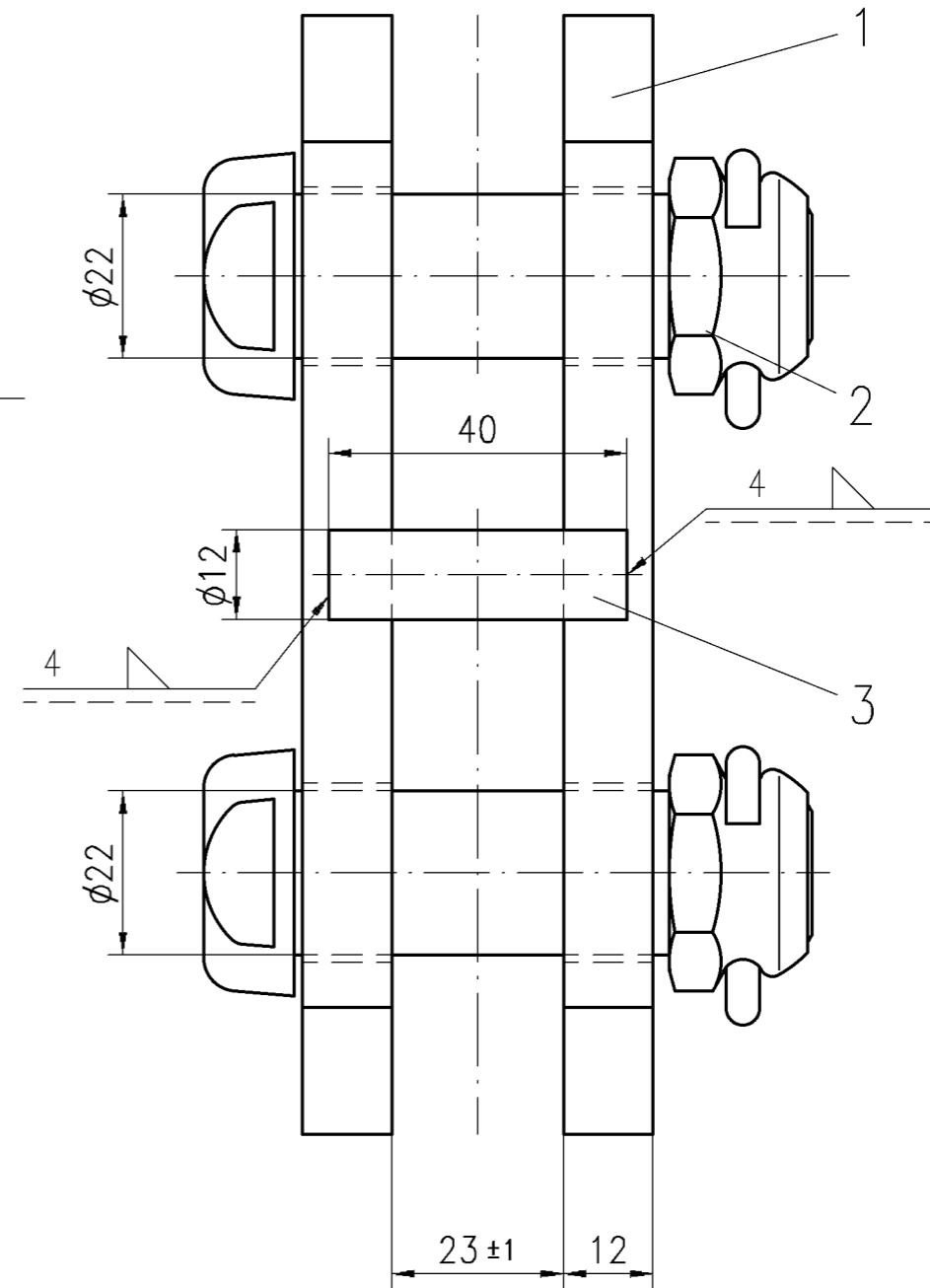
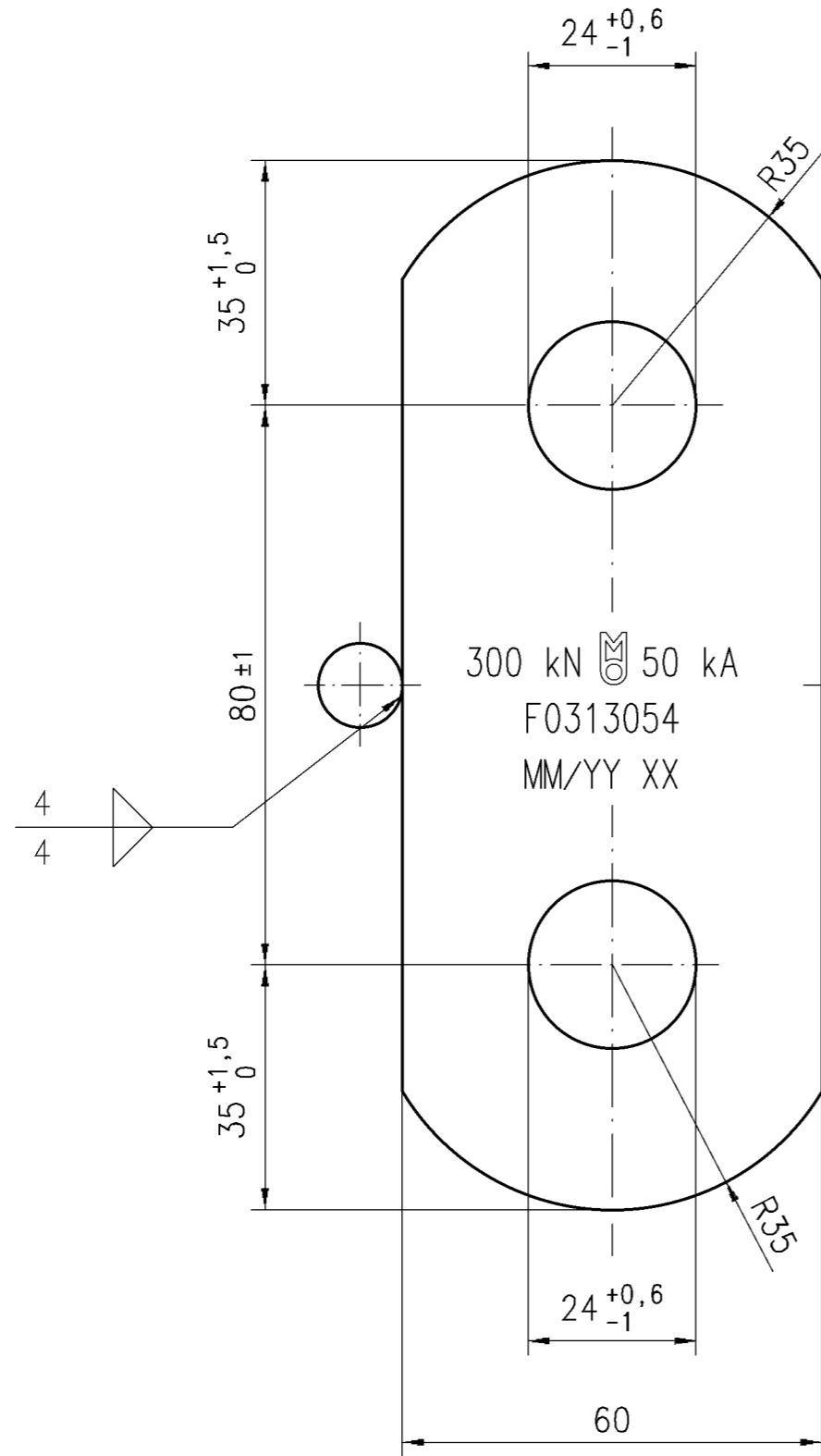


This page and its indications is intellectual property of Mosdorfer Company and it isn't allowed to forward those information to a third party without the written assent of Mosdorfer company.		Number	Modification	Date	Name
This page and its indications is intellectual property of Mosdorfer Company and it isn't allowed to forward those information to a third party without the written assent of Mosdorfer company.		Number	Modification	Date	Name
Letter	Revision	Date	Name		
a	S355J2 (S355J0); suppl. code added	21.07.09	Faul		



Itm	Qty	Description	Standard	Drg. no.	Art. no.	Material	Surface	Mass [kg]
3	2	round $\phi 12 \times 40$				S235JRG2	hot dip galv.	
2	2	bolt S 22x48	DIN 48073		1046.24/0	8.8	hot dip galv.	
1	2	strap 60x12x150				S355J2	hot dip galv.	

2003	Date	Name		Replace for	Sim. to drg.-no.
Drawn	09.07.	<i>[Signature]</i>		Replaced by	F0313042 A4
Checked	-11-	<i>[Signature]</i>		Art. No.	4263.56

	Title			Drg. No.		Rev. Mod. A3
Scale	Double strap			F0313054		
1:1	60x12/80		No. of pages		Page	

Tolerance acc. to: ISO 2768 v Short circuit current: 50 kA 1s Breaking load: 300 kN Mass: approx. 2,1 kg