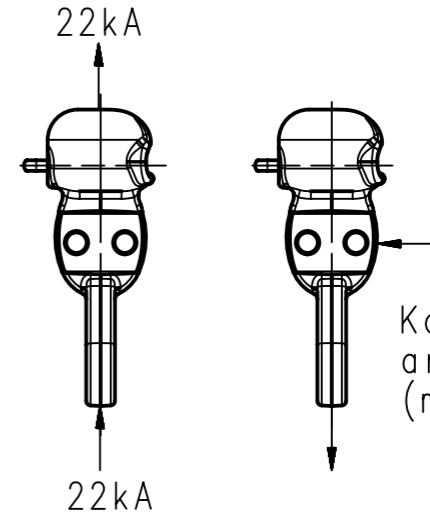
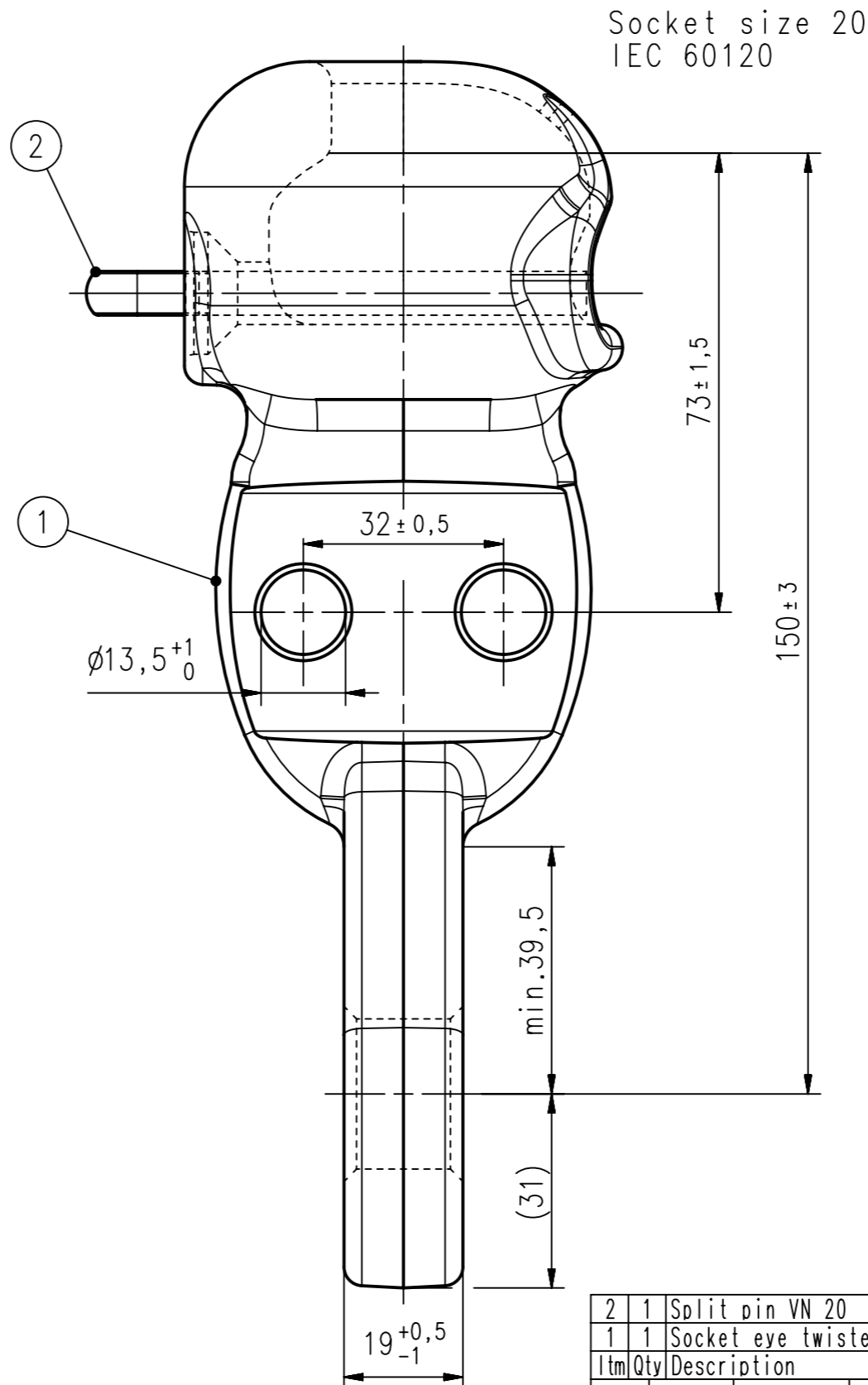
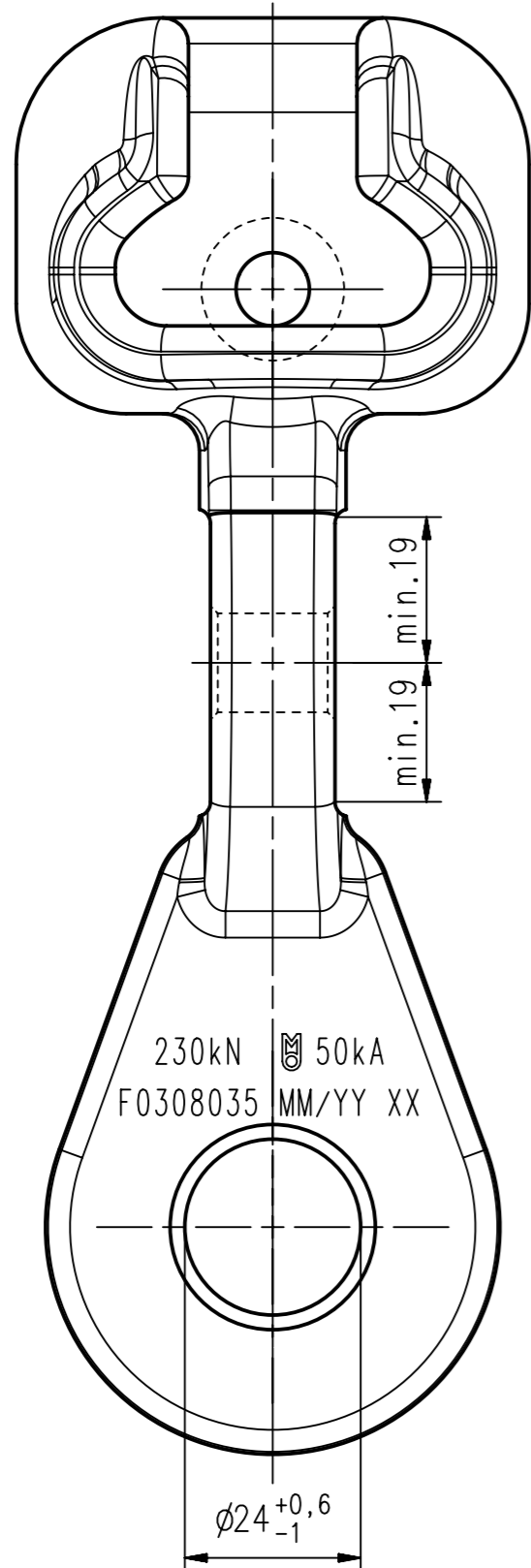
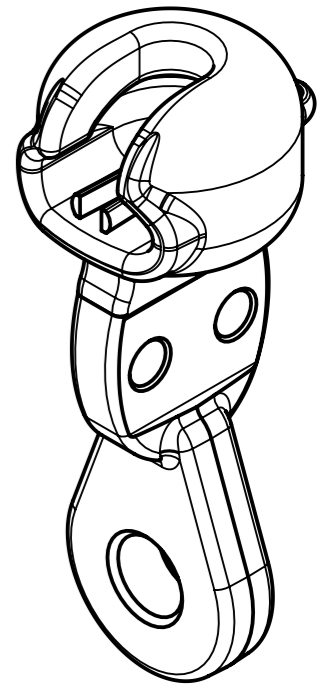


Ver.-Mod.	Note	Date	Drawn	Checked
Ver.-Mod.	Note	Date	Drawn	Checked
Ver.-Mod.	Note	Date	Drawn	Checked
Ver.-Mod.	Note	Date	Drawn	Checked

This page and its indications is intellectual property of Mosdorfer Company and it isn't allowed to forward those information to a third party without the written assent of Mosdorfer company.



Ka according to arcing device (max. 50 kA1s)



2	1	Split pin VN 20	DIN 48063		Steel	stainless		
1	1	Socket eye twisted 20	IEC 60120		Steel	hot dip galv.		
l	Qty	Description	Standard	Drg.no.	Art.no.	Material	Surface	
	Date	Name			Replace for		Sim. Drg. No.	
Drawn	06.11.2024	BenKut			Reference		F0308113	
Checked	06.11.2024	ThoSch			Art. No.		4220.31/2/S	
Scale		Title		Type	Drg. No.	Ver.	Mod.	
1:1		Socket eye twisted IEC 20		K	F0308035	01	A3	
Tolerance acc. to: EN 10243-1 F							Page 1 of 1	

Tolerance acc. to: EN 10243-1 F Short circuit current: 50 kA 1s Breaking load: 230 kN Mass: approx. 1,9 kg