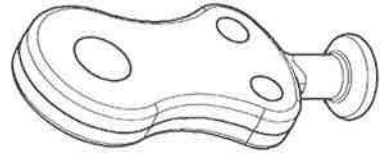
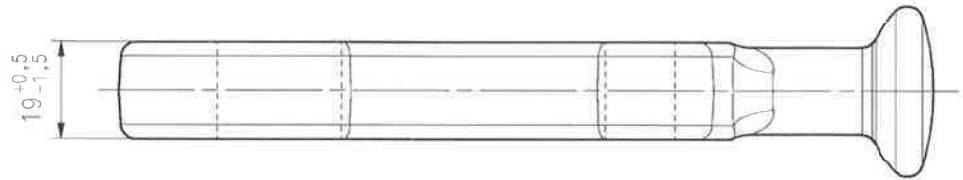
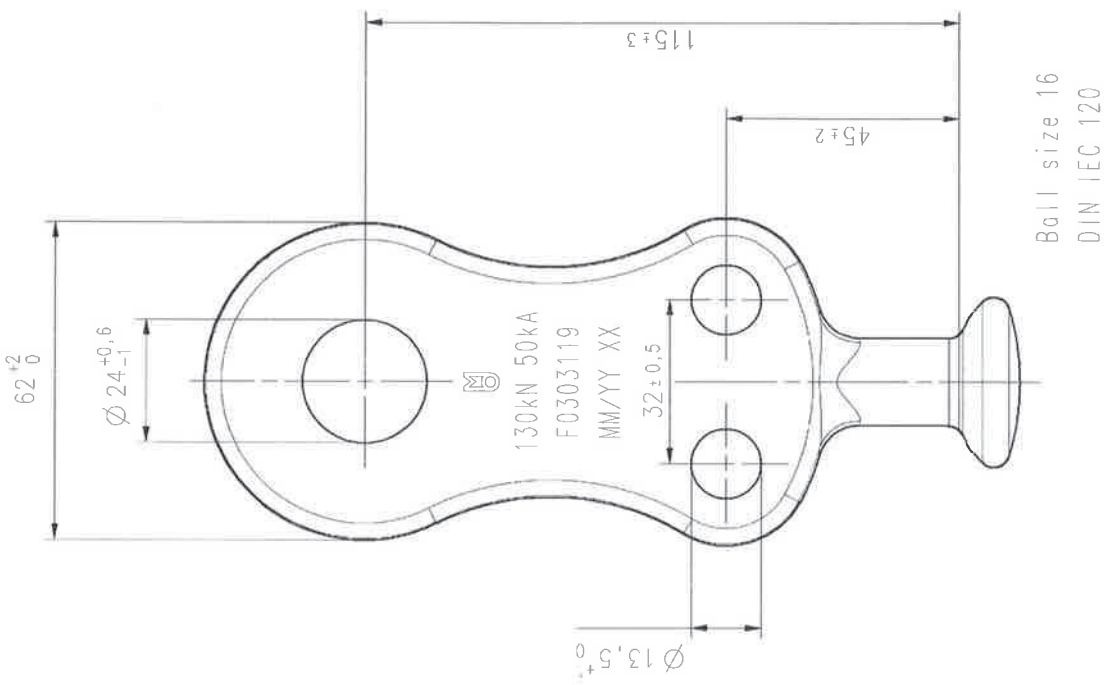


Rev. 01	Date	Drawn	Checked
<p>This page and its indications is intellectual property of Mosdorfer Company and is not allowed to be forwarded to any third party without the written consent of Mosdorfer company</p>			
<p>Author: [ ]</p>			
<p>Revision</p>			
<p>Note</p>			
<p>Drawn</p>			
<p>Checked</p>			



Item	Qty	Description	Standard	IEC 16	IEC 120	Steel	Material	Surface	Hot dip galv.	Mass (kg)
<p><b>MOSDORFER</b> <b>KNILL GRUPPE</b></p>										
Date	Name		Art. no.		Art. no.		Material		Surface	
25.05.2012	Schimmerl		F0303119		F0303119		Replace by		135-32B-144	
25.05.2012	Grimm		F0303119		F0303119		Replaced by		4213.0015	
<p>Scale: 1:1</p>										
<p>Mass: approx. 0,9 kg</p>										
<p>Breaking load: 130 kN</p>										
<p>Short circuit current: 50 kA 1s</p>										
<p>EN 10243-1 F</p>										
<p>Rev. a</p>										
<p>Page 1</p>										

Ball eye straight IEC 16

IEC 120

Ball size 16

DIN IEC 120

130kN 50kA

F0303119

MM/YY XX

1:1

approx. 0,9 kg

130 kN

50 kA 1s

EN 10243-1 F

Rev. a

Page 1