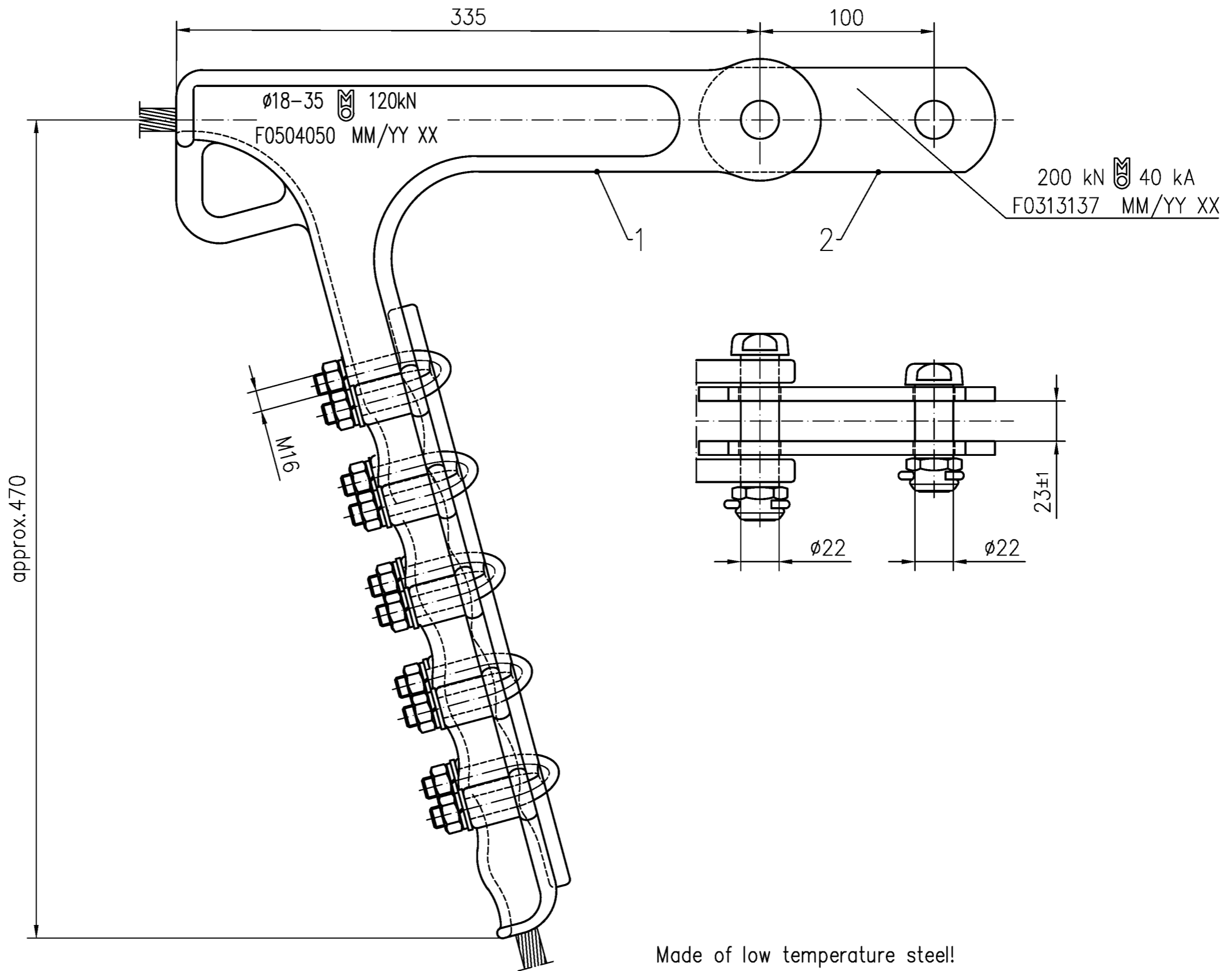


This page and its indications is intellectual property of Mosdorfer Company and it isn't allowed to forward those information to a third party without the written assent of Mosdorfer company.

Letter		Revision / Modification	Date	Drawn	Checked	

a	Rev. adaption without modification	09.01.2023	MiaZel	Drawn	Checked	
	Letter	Revision / Modification	Date	Drawn	Checked	



Made of low temperature steel!

2	1	Double strap 100				Steel	hot dip galv.	
1	1	Strain clamp bolted type				Al-alloy/Steel	hot dip galv.	
Item	Qty	Description	Standard	Drq. no.	Art. no.	Material	Surface	Mass [kg]
		Date	Name				Replace for	Sim. to drg.-no.
Drawn	09.01.2023	MiaZel				Replaced by		
Checked	12.01.2023	ThoSch				Art. No.	4432.0021	
		Scale	Title		Type	Drq. No.	Rev.	Mod.
		1:2,5	Strain clamp bolted type		K	F0504029	c	A3
		<p>Tolerance acc. to: ISO 2768-vL Short circuit current: 50 kA 1s Breaking load: 120 kN Mass: approx. 10,0 kg</p>			<p>No. of pages 1 Page 1</p>			