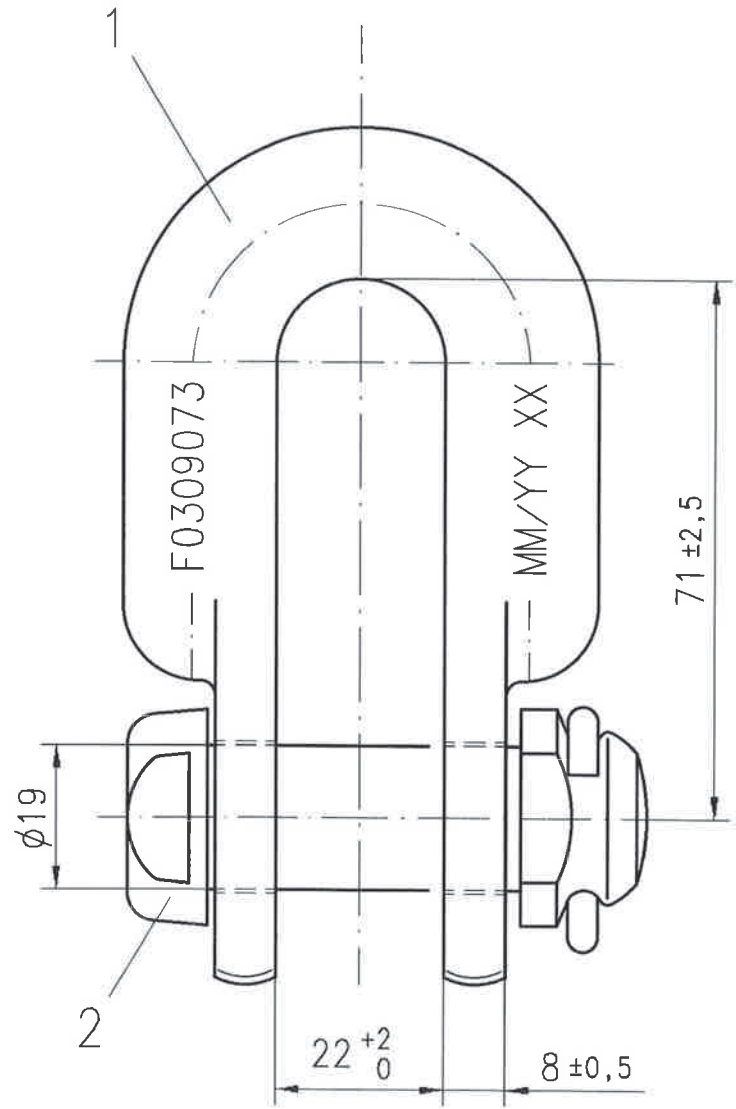
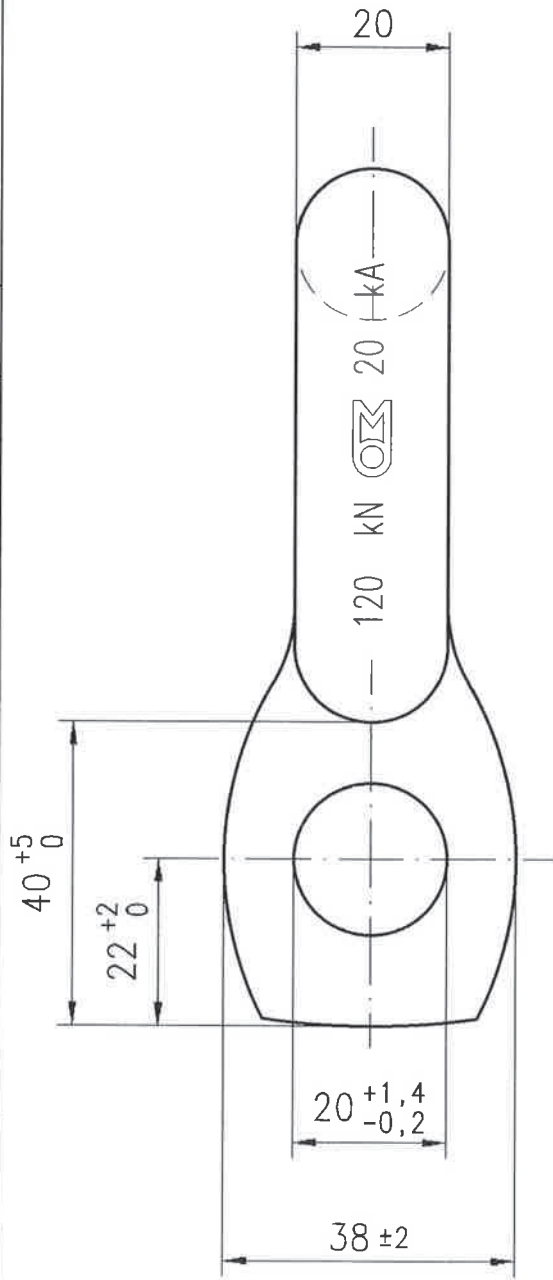


Tolerance acc. to ISO 2768-vL    Short circuit current: 20 kA 1s    Breaking load: 120 kN    Mass: approx. 0,7 kg

This page and its indications is intellectual property of Mosdorfer Company and it isn't allowed to forward those information to a third party without the written assent of Mosdorfer company.



c	Tolerance added 71+/-2,5 (71)	18.01.2011	Auer
b	Supplier code nachgetragen	15.11.2007	Wild M.
a	length 71 (80)	13.02.03	Artinger
Letter		Date	Name

Item	Qty	Description	Standard	Drg. no.	Art. no.	Material	Surface	Mass [kg]
2	1	bolt S 19 x 40	DIN 48073		1046.50/0	8.8	hot dip galv.	
1	1	shackle ø20				C45E+QT	hot dip galv.	

2003	Date	Name		Replace for	Sim. to drg.-no.	
Drawn	03.02	Artinger		Replaced by	F0309042	
Checked	-II-	Grimm		Art. No.	4250.08/5	
			Title	Drg. No.	Rev.	Mod.
Scale 1:1			Shackle ø20	F0309073	c	A4
				No. of pages	Page	