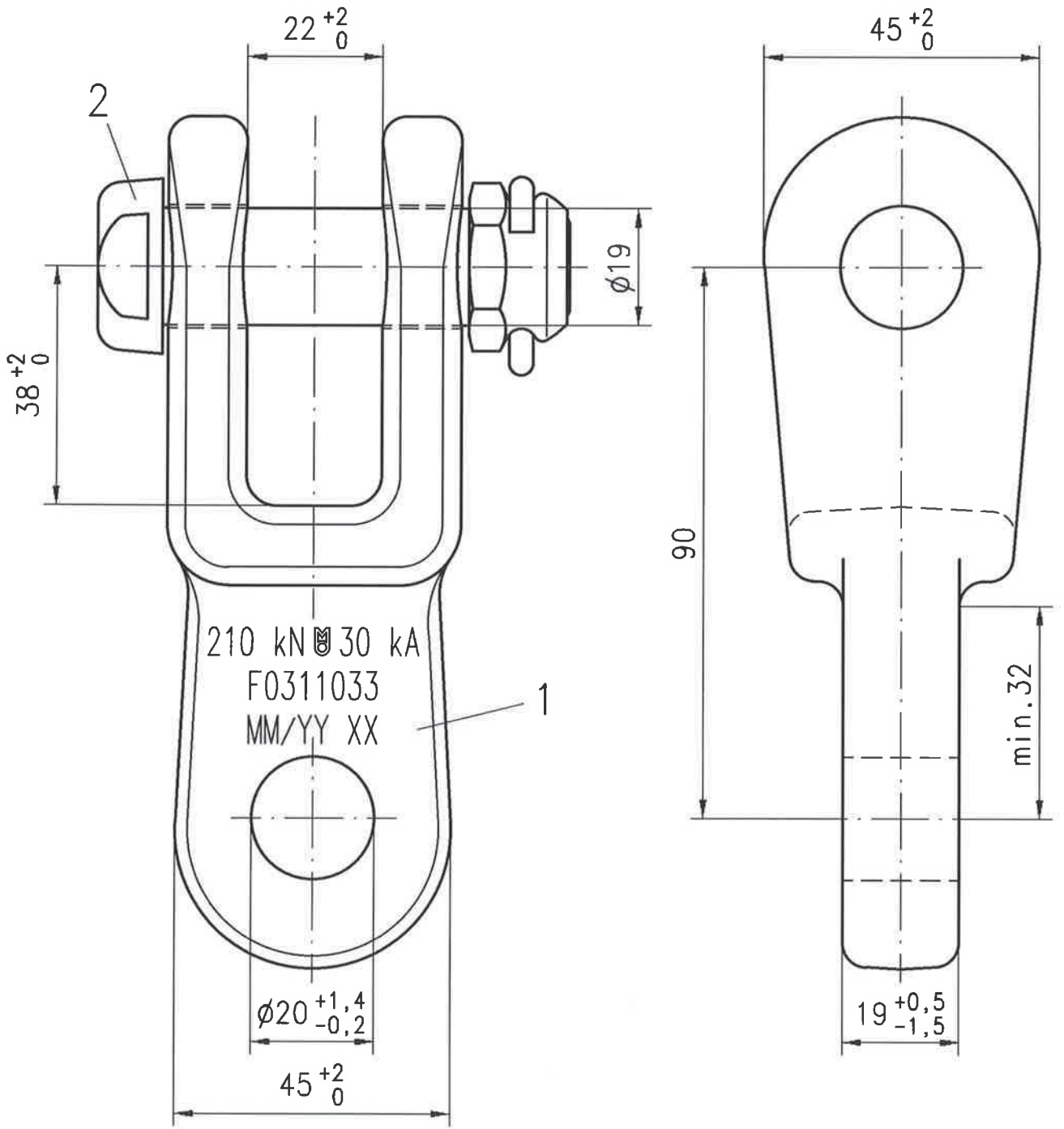


Tolerance acc. to: EN 10243-1 F Short circuit current: 30 kA 1s Breaking load: 210 kN Mass: approx. 1,0 kg

This page and its indications is intellectual property of Mosdorfer Company and it isn't allowed to forward those information to a third party without the written assent of Mosdorfer company.



Indexanp. ohne Änderung
 08.09.2014
 Grimm
 Date
 Name

Rev.	Qty	Description	Standard	Drq. no.	Art. no.	Material	Surface	Mass [kg]
2	1	Bolt S19	DIN 48073			8.8	hot dip galv.	
1	1	Clevis eye twisted				Steel	hot dip galv.	

2014	Date	Name		Replace for	Sim. to drg.-no.			
Drawn	08.09.	Grimm		Replaced by	F0311019			
Checked	08.09.	Zechner		Art. No.	4265.73/2			
	Title			Type	Drq. No.	Rev.	Mod.	A4
	Scale 1:1	Clevis eye twisted 90/S19/20		K	F0311033	b		
				No. of pages		Page		