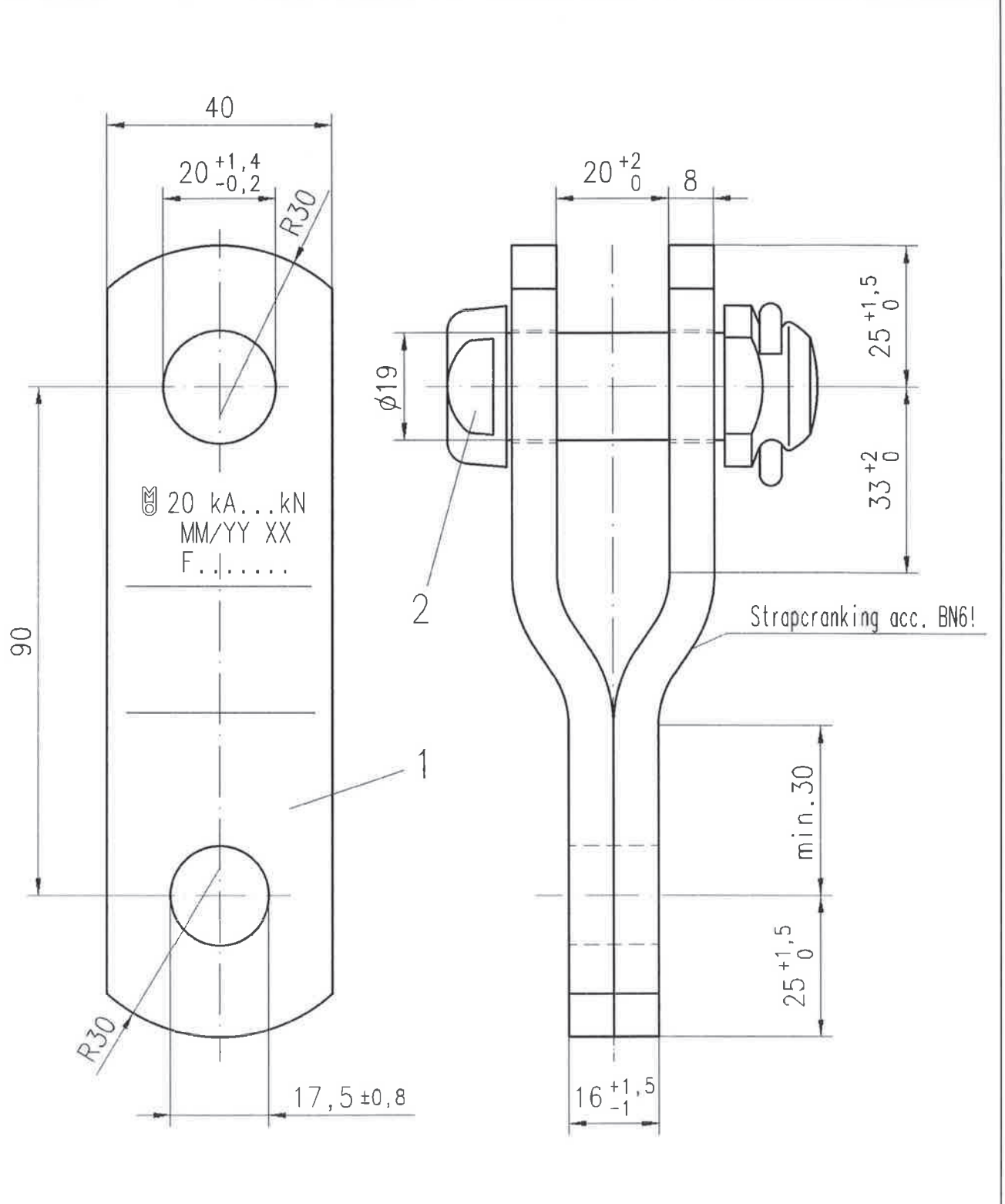


Tolerance acc. to ISO 2768-VL	Short circuit current: 20 kA 1s	Breaking load: max. 80 kN	Mass: approx. 0,9 kg
-------------------------------	---------------------------------	---------------------------	----------------------

Material Pos. 1 S235J2 (S235JR)	16 (+1,5/-1) [16 (+/-1)]	Modification	Date	Name
			04.11.2011	Pierbaumer
e	d	Number	Date	Name
			07.10.09	Faul

This page and its indications is intellectual property of Mosdorfer Company and it isn't allowed to forward those information to a third party without the written assent of Mosdorfer company.



Special design for AGS-clamp!

brkg. load and drwg. nr., added	21.07.09	Faul	Date	Name
Supplier code added	25.07.2008	Wild M.		
20 kA (25 kA)	15.12.2003	Grimm		
Letter	Scale	Title		
	1:1	Clevis eye straight		

2	1	Bolt S19x38	DIN 48073	1046.14/0	8.8	hot dip galv.	
1	2	Strap 40x8x143		MF 106.060	S235J2	hot dip galv.	
Qty	Description	Standard	Drg. no.	Art. no.	Material	Surface	Mass [kg]
2002	Date	Name	Replace for D1806003 A4		Sim. to drg.-no.		
Drawn	06.02.	Kleinhappl	Replaced by				
Checked	-11-	Ze	Art. No.		4265.02/9		
Title			Drg. No.		Rev.	Mod.	
Clevis eye straight			F0312094		e		A4
90/40x8			No. of pages		Page		

