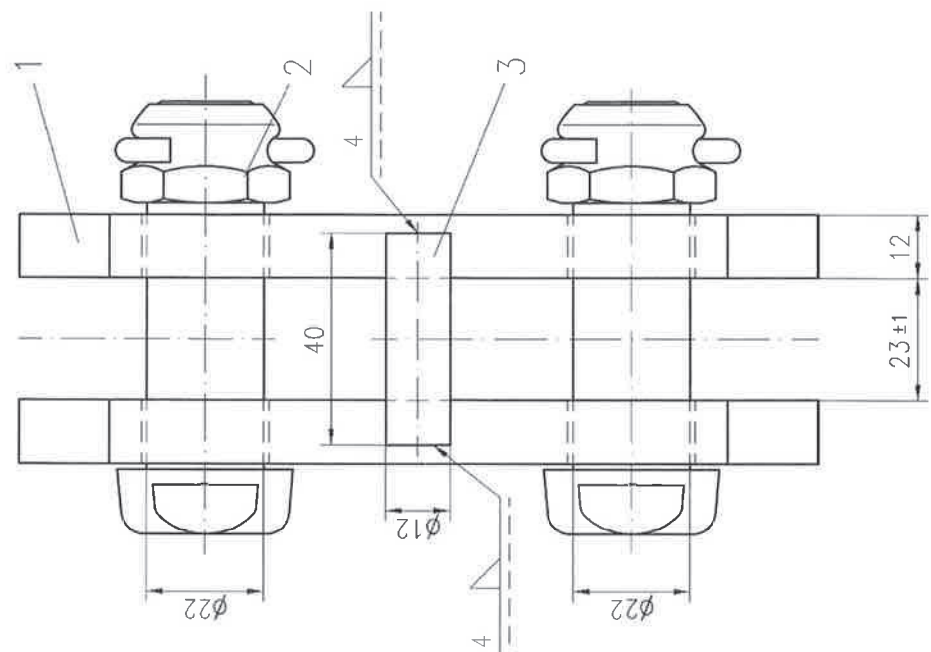
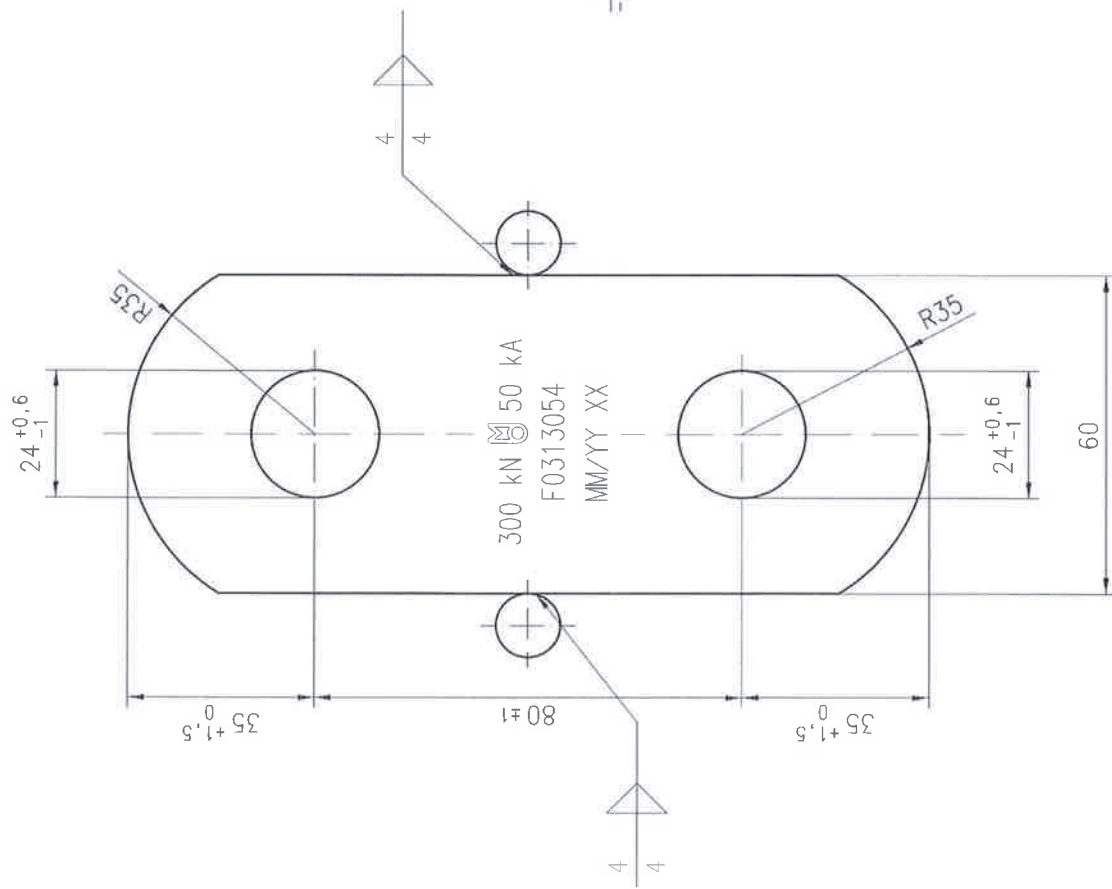


Letter	a	S3532 (S3532): suppl. code added	21.07.09	Fou	Name
Revision					

Number		Modification	Date	Name

This page and its indications is intellectual property of Mosdorfer Company and it isn't allowed to forward those information to a third party without the written assent of Mosdorfer company

Tolerance acc. to: ISO 2768 v Short circuit current: 50 kA 1s Breaking load: 300 kN Mass: approx. 2,1 kg



3	round $\phi 12 \times 40$	S235JRG2	hot dip galv.					
2	bolt S 22x48	DIN 48073	1046.24/0					
2	strap 60x12x150	S355J2	hot dip galv.					
1	Qty	Description	Standard	Drq. no.	Art. no.	Material	Surface	Mass [kg]
2003	Date	Name	Replace for					
09.07.	09.07.	<i>Stamm</i>	Replaced by					
Checked	-11-	<i>Stamm</i>	Art. No.					
			4263.56					
			Sim. to drg.-no.					
			F0313042 A4					
			Drq. No.					
			F0313054					
			Rev. Mod.					
			a					
			Page					
			No. of pages					
			A3					



Double strap
60x12/80

Scale
1:1