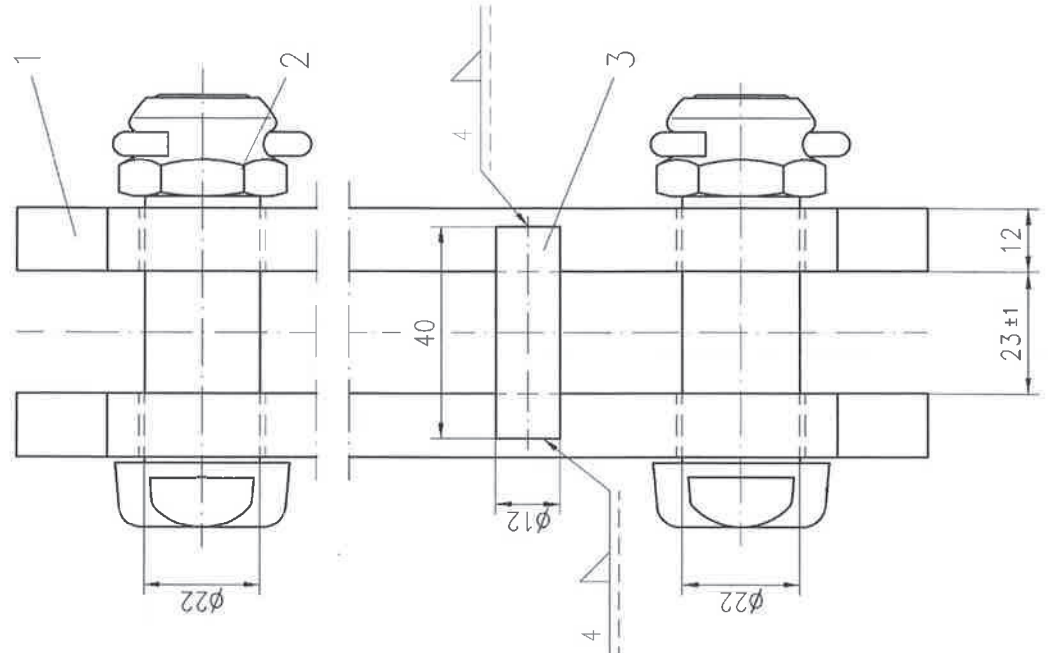
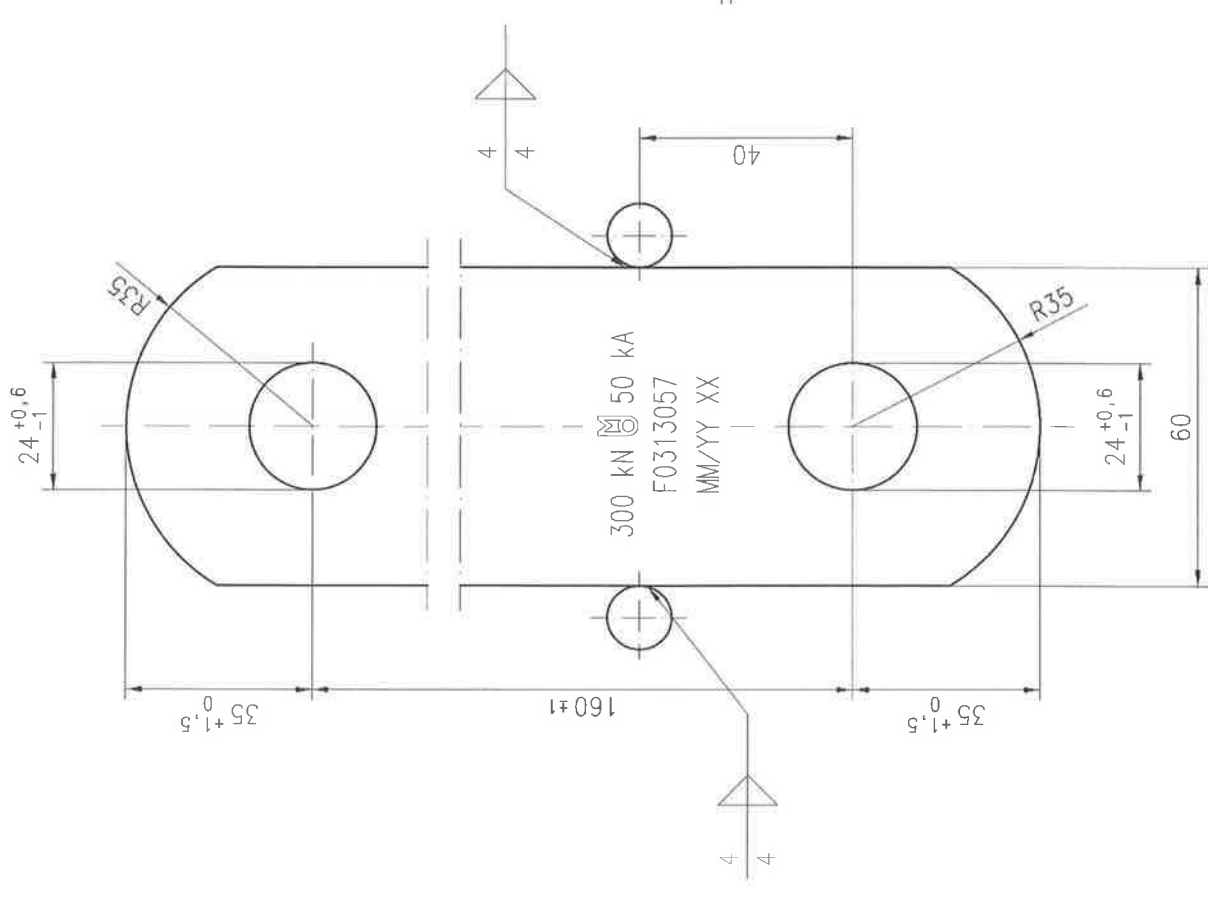


Letter	3	S355J2 (S355J2) suppl. code added	21.07.09	Faul	Name
Revision					Date

The page and its indications is intellectual property of Mosdorfer Company and isn't allowed to forward these information to a third party without the written assent of Mosdorfer company

Number		Modification	Date	Name



3	2	round	ø12x40	S235JRG2	hot dip galv.			
2	2	bolt	S 22x48	DIN 48073	1046.24/0			
1	2	strap	60x12x230	S355J2	hot dip galv.			
Item Qty		Description	Standard	Drq. no.	Art. no.	Material	Surface	Mass (kg)
2003	Date	Name	Replace for					
Drawn	19.11.	Kleintrapp	Replaced by					
Checked	-11-	Ze	Art. No.					
		Title	Drq. No.					
		Scale	1:1					
		Mass	approx. 3,0 kg					
		Breaking load	300 kN					
		Short circuit current	50 kA 1s					
		Tolerance acc. to:	ISO 2768 v					
		Letter	F0313057					
		Rev. Mod.	a					
		Page	A3					



Double strap
60x12/160