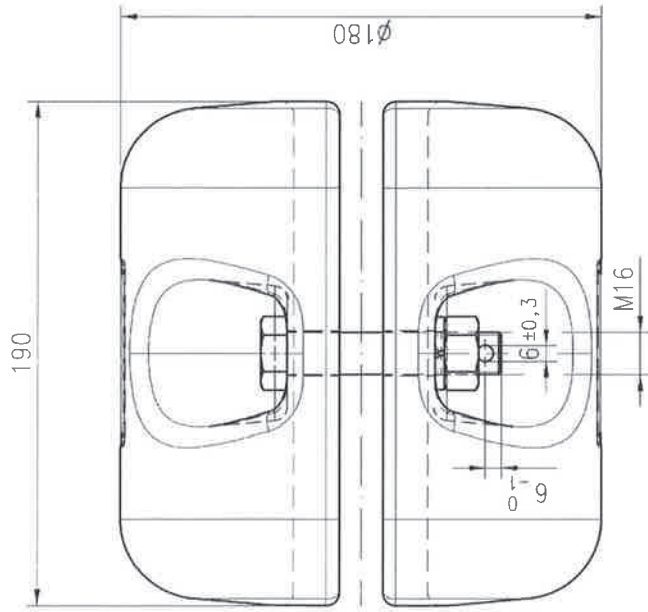


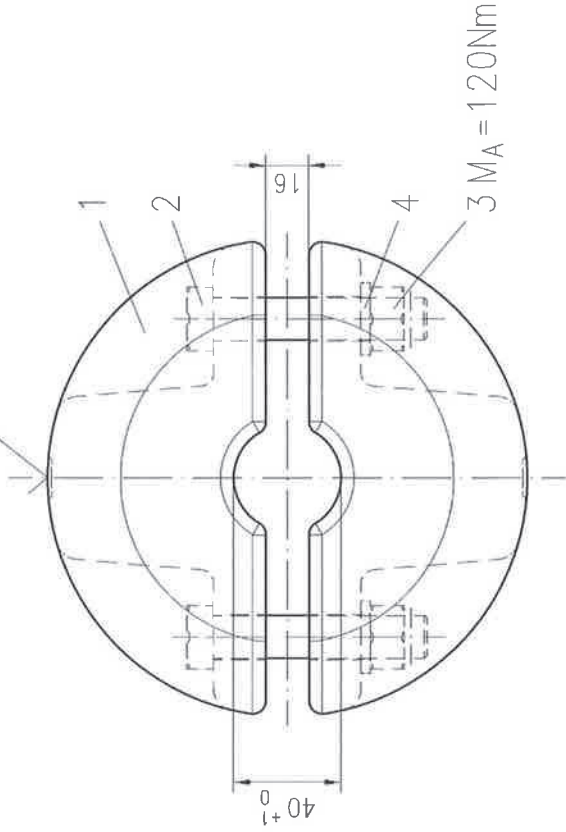
Letter	Revision	Date	Name
0	Supplier code added	23.04.2008	Witold M.

This page and its indications is intellectual property of Mosdorfer Company and it isn't allowed to forward those information to a third party without the written assent of Mosdorfer company.

Number	Modification	Date	Name



**M** 12,5kg F0409032 MM/YY XX



5	2	Split pin 4x35	DIN 127	1048.39/1	St	stainless		
4	2	Spring washer B16	DIN 934	1064.06	St	mech. galv.		
3	2	Hexagon nut M16	DIN 931	1052.06/4	8	hot dip galv.		
2	2	Hexagon screw M16x80	EN-JL 1030	1011.60/1	8.8	hot dip galv.		
1	2	Counter weight 12,5 kg	F0409031	4371.23/4	EN-JL 1030	hot dip galv.		
1	1	Qty	Description	Standard	Drq. no.	Material	Surface	Mass [kg]
2003	Date	Name	Replace for					
14.07.	14.07.	<i>Przemyslaw</i>	Sim. to drg.-no.					
Checked	- -		F0409017 A3					
			Art. No. 4371.23/5					
			Drg. No. F0409032					
			Rev. Mod. a					
			No. of pages					
			Page					



**Jumper weight 25 kg**  
for cond.  $\phi 27,7-40,0$  mm

Tolerance acc. to: ISO 2768 v Short circuit current: --- kA 1s Breaking load: --- kN Mass: approx. 25,0 kg

Scale 1:2