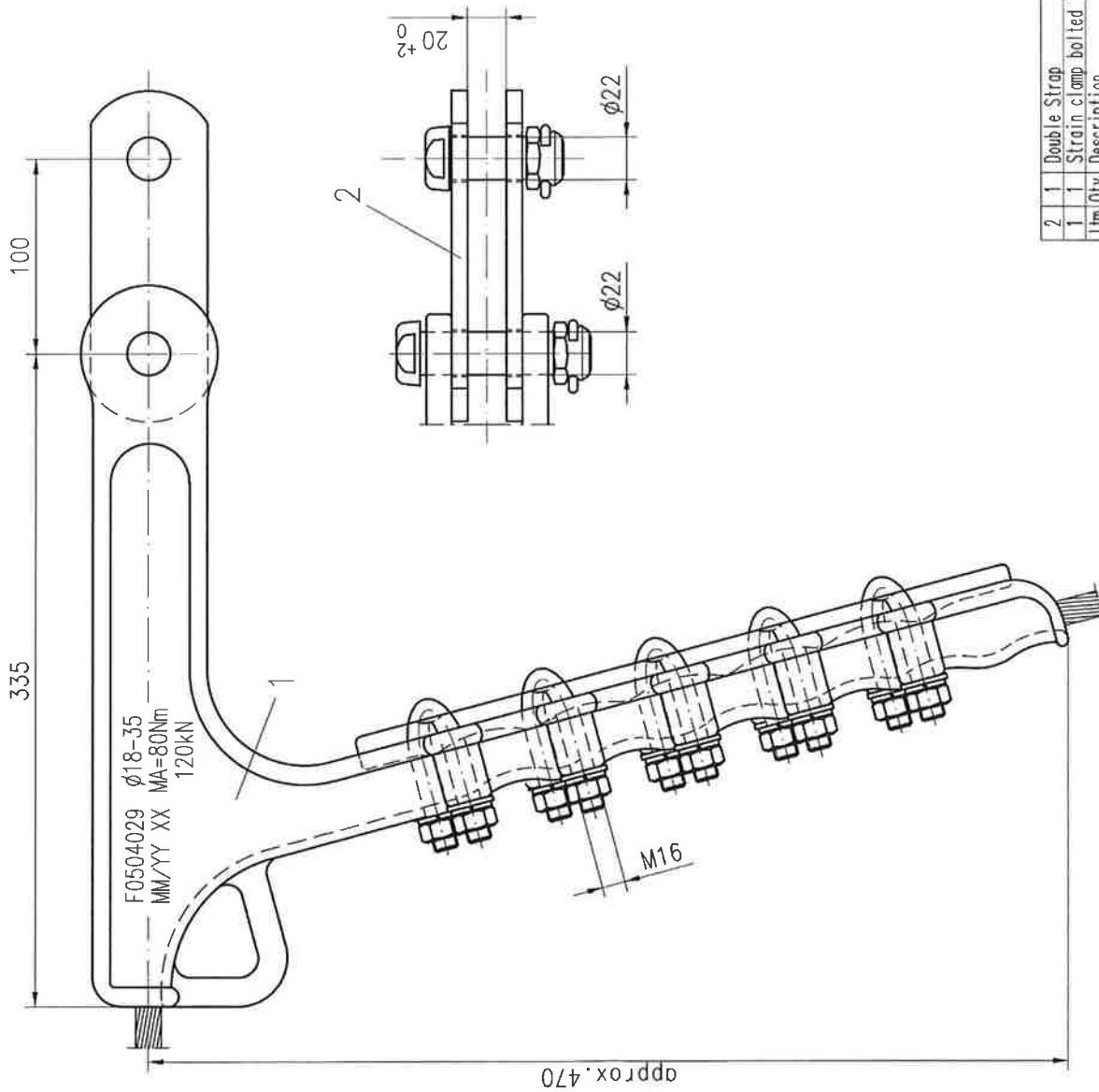


Letter	0
Revision	Pos. 2 Zng. nr + Art. nr neu
Date	03.11.2011
Name	Gruber

This page and its indications is intellectual property of Mosdorfer Company and it isn't allowed to forward these information to a third party without the written assent of Mosdorfer company.

Number	
Modification	
Date	
Name	



2	1	Double Strap	F0313137	4263.32/4/1	Steel	hot dip galv.	
1	1	Strain clamp bolted type	F0504004/6	4432.16/10/2	Al-alloy/Steel	hot dip galv.	
Qty	Description	Standard	Drq. no.	Art. no.	Material	Surface	Mass [kg]
2011	Date	Replace for					Sim. to drg.-no.
08.02.	Drawn	Replaced by					
08.02.	Checked	Art. No.					4432.0021
Name		Drg. No.					
Gruber		F0504029					Rev. Mod.
Wurzwallner		Title					a
Title		Strain clamp bolted type					
Scale		for steel conductors ø18,0-35,0 mm					No. of pages
---							A3
							Page



Tolerance acc. to: ISO 2768-VL Short circuit current: 50 kA 1s Breaking load: 120 kN Mass: approx. 8,0 kg