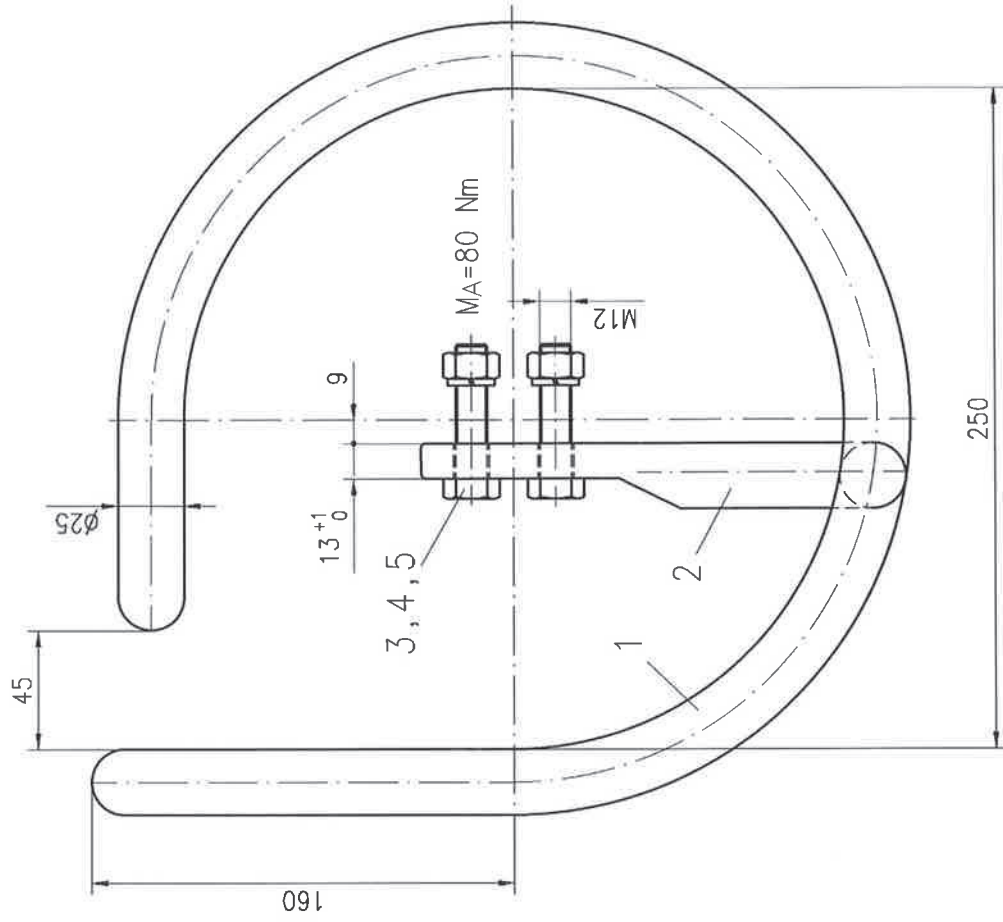
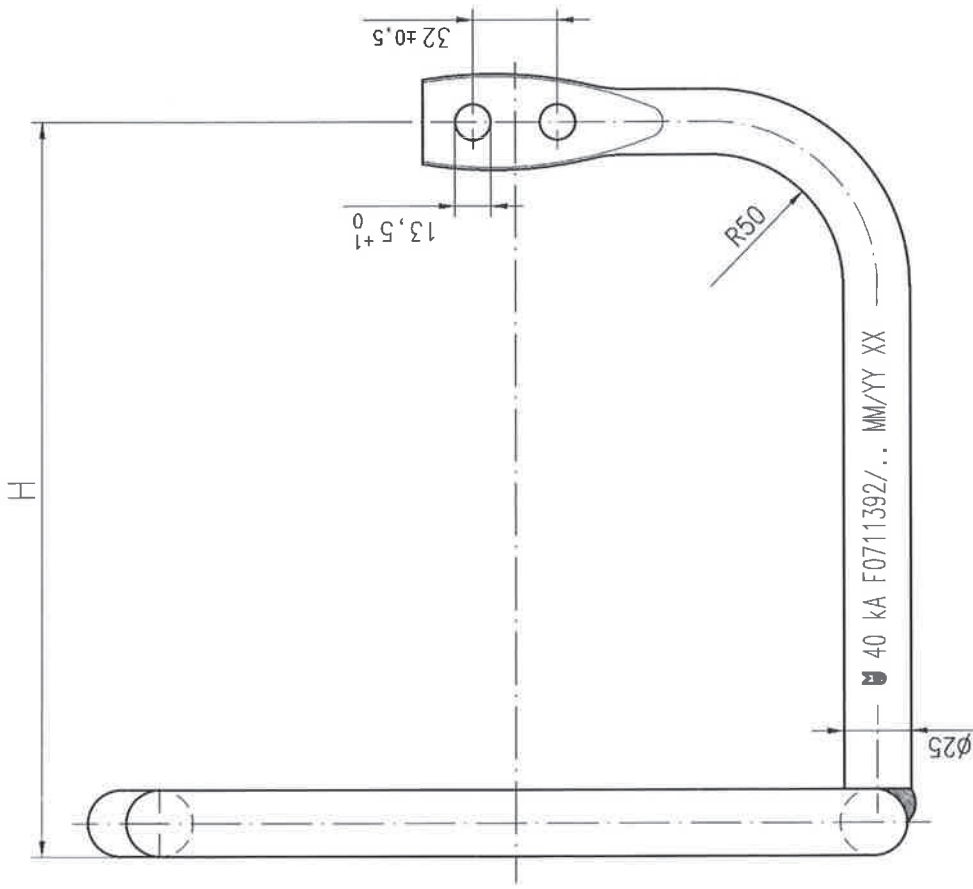


Letter	0	13+1/0 (12+1/0)	04.09.09	04.09.09	Revision	Date	Name	Revision	Date	Name

This page and its indications is intellectual property of Mosdorfer Company and it isn't allowed to forward those information to a third party without the written assent of Mosdorfer company.

Number	
Modification	
Date	
Name	



Type	Art. No.	H (mm)	weight (kg)
1	4760.42/1	275	5,1
2	4760.42/3	250	5,0
3	4760.42/5	210	4,8

Weld acc. BN 7/1 !
 Tolerance acc. BN 7/4 !
 Protective fitting attachment acc. BN 13/1 !

Tolerance acc. to: ISO 2768 v Short circuit current: 40 kA 1s Breaking load: --- kN Mass: --- s. Tab.

Qty	Description	Standard	Drq. no.	Art. no.	Material	Surface	Mass [kg]	
5	2 Spring washer B12	DIN 127		1064.04	St	mech. galv.		
4	2 Hexagon nut M12	DIN 934		1052.04/2	8	hot dip galv.		
3	2 Hexagon screw M12x50	DIN 933		1009.47/1	8.8	hot dip galv.		
2	1 Arm $\phi 25$				S235JR	hot dip galv.		
1	1 Horn $\phi 25 \times 888$				S235JR	hot dip galv.		
1	Qty	Description	Standard	Drq. no.	Art. no.	Material	Surface	Mass [kg]
2009	Date	Name	Replace for					Sim. to drg.-no.
Drawn	10.04.	Wild M.	Replaced by					F0711347
Checked	-ll-		Art. No.					s. Tab.
			Drg. No.					Rev. Mod.
			F0711392					a
			Upper arcing ring					A3
			$\phi 250/\phi 25$					No. of pages
								Page



Scale
1:2